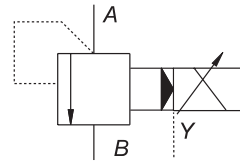
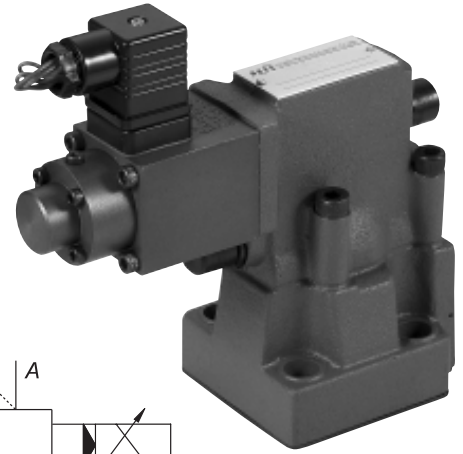


XB/XBK TYPE PROPORTIONAL PRESSURE RELIEF VALVES

XB type valve is a pilot operated pressure relief valve with poppet structure, which can change the system pressure continuously by electrical input signal, the pressure limit can be preset by proportional solenoid and may be relative with current. XBK relief valve in the XB-based, install a spring loaded pressure relief valve to provide maximum pressure protection.



XB K T 10 - 30/ 31.5 Y / 2 V *

NO code=Without max, pressure protection
K=With max, pressure protection

No code=pilot operated pressure relief valve
C=Pilot valve with main spool assembly
C=Pilot valve without main spool

T=Pilot operated valve as remote control valve

Size=10, 20, 30

30=Series number

5=5MPa
10=10MPa
20=20MPa
31.5=31.5MPa

For Further detailed

No code=NBR seals for petroleum oils
V=FPM seals for phosphate ester

NO code=Inch thread
Z=Metric

Y=Internally piloted / externally drained
XY=externally drained / externally drained