

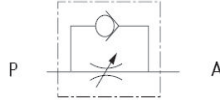
SOLENOID VALVES

WH19 Series one way flow check valves

MODEL: **KLJA-SR**



GRAPHICAL SYMBOLS

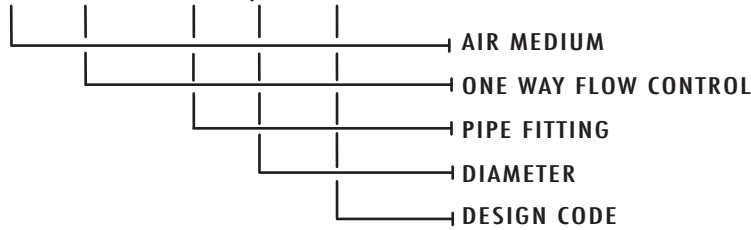


SPECIFICATION

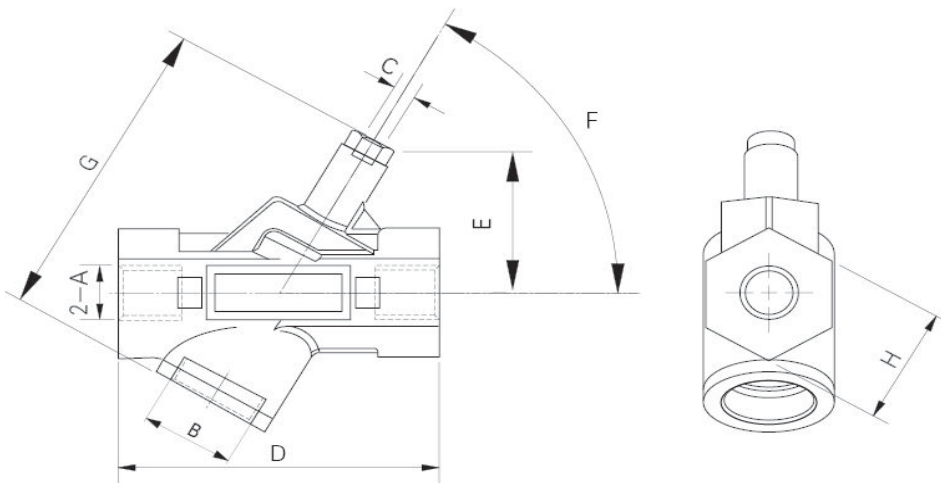
TYPE	KLJA-L1/4SR	KLJA-L1/2SR
ITEM		
Kv value	2.0	6.6
Pressure range (MPa)	0.05 ...0.8	
Start pressure (MPa)	≤0.05	
Temperature ambient (°C)	5...50	
Temperature medium (°C)	5...50	
Leukage flow rate (mL/min)	100	100
Kurability (10K times)	200	

NOTE FOR TYPE:

K LJA - L 1/4 23



OUTLOOK & DIMENSION



TYPE	PORT SIZE	B	C	D	E	F	G	H
KLJA-L1/4SR	G¼	M22x1.5	M6	82	36.5	60	85	30.5
KLJA-L1/2SR	G½	M32x1.5	M8	110	52	60	110	42
KLJA-L1SR	G1	M58x2	M12	137	80	60	181	85