

SOLENOID VALVES

WH27 Series directional solenoids and air actuated valves

2/2 MODEL: K 2 2 J - W



GRAPHICAL SYMBOLS

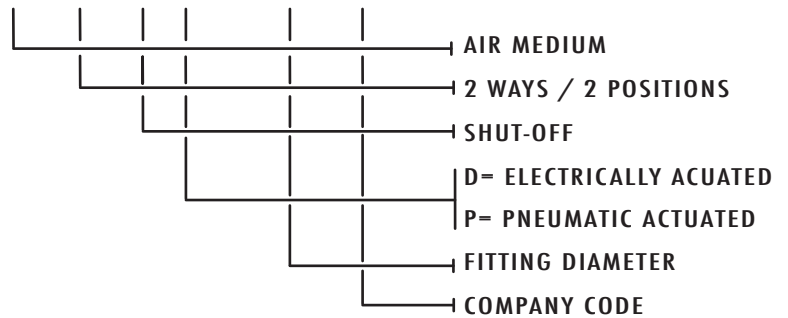


FEATURES

Model K22J-W of WH27 series is pipe fitting shut-off directional valves 2/2 way normally closed. Streamlined structure, reliable action easy of maintenance, and especially suited to tough work conditions. Two types: electrically controlled and pneumatical controlled.

NOTE FOR TYPE:

K 2 2 J D - 15 W

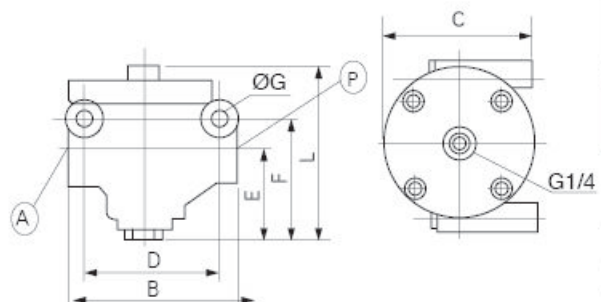
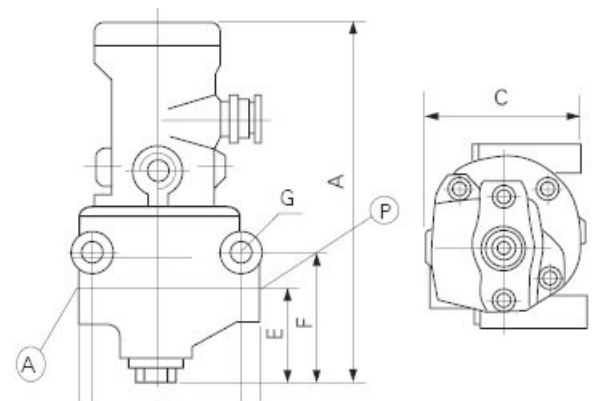


SPECIFICATION

TYPE	K22J-8W	K22J-10W	K22J-15W	K22J-20W	K22J-25W	K22J-32W	K22J-40W
ITEM							
Flow rate (m ³ /h)	5	7	10	20	30	40	50
Effective sectional area (mm ²)	20	35	60	120	190	300	400
Leakage rate (cm ³ /min)	≤50	≤100	≤200	≤300			
Direction diverting time (sec)	≤0.04	≤0.06	≤0.10	≤0.15			
Switch-over frequency Hz	≥10	≥8	≥4	≥3			
Working pressure (MPa)	0.2 - 0.8						
Voltage (V)	AC: 220 - 110 - 24 / DC: 110 - 24						
Ambient temperature (°C)	-5.....+50						

OUTLOOK & DIMENSION

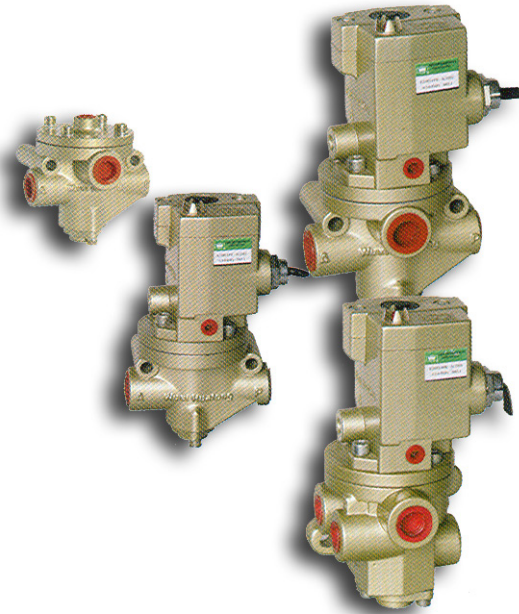
TYPE	DIAMETER	PORT SIZE	A	B	C	D	E	F	G	L
K22J-8W	Ø8	G ¹ / ₄	163	96	78	73	38	55	Ø9	84
K22J-10W	Ø10	G ³ / ₈								
K22J-15W	Ø15	G ¹ / ₂								
K22J-20W	Ø20	G ³ / ₄	175	113	78	82	52	80	Ø9	96
K22J-25W	Ø25	G1								
K22J-32W	Ø32	G ¹ / ₄								
K22J-40W	Ø40	G ¹ / ₂	240	165	91	118	75	112	Ø13	152



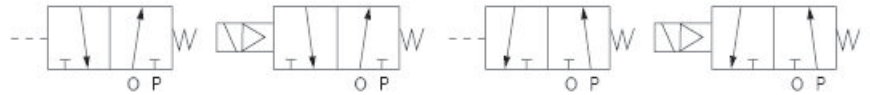
SOLENOID VALVES

WH27 Series directional solenoids and air actuated valves

3/2 MODEL: K 2 3 J - W



GRAPHICAL SYMBOLS

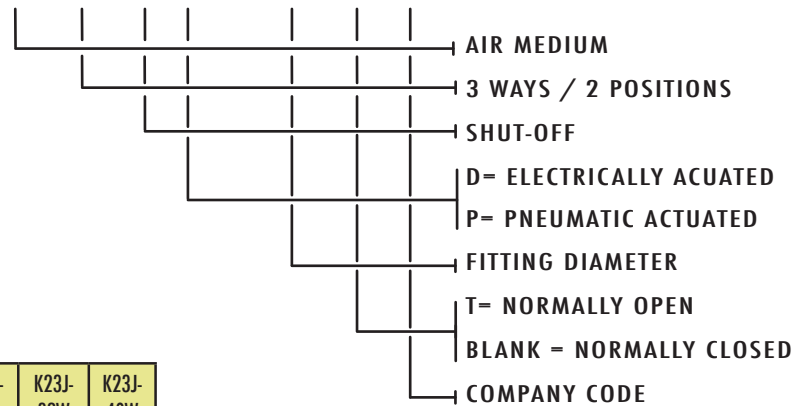


FEATURES

Model K23J-W of WH27 series is pipe fitting shut-off directional valves 3/2 way normally closed or open. Streamlined structure, reliable action easy of maintenance, and especially suited to tough work conditions. Two types: electrically controlled and pneumatical controlled.

NOTE FOR TYPE:

K 2 3 J D - 15 T W

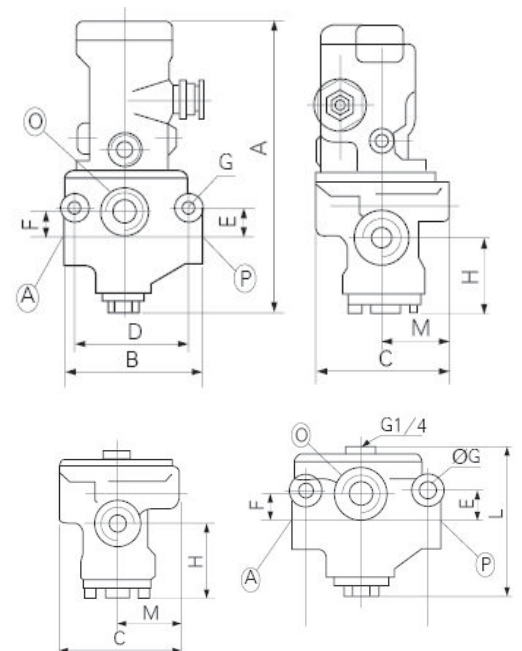


SPECIFICATION

TYPE	K23J-8W	K23J-10W	K23J-15W	K23J-20W	K23J-25W	K23J-32W	K23J-40W
Flow rate (m ³ /h)	5	7	10	20	30	40	50
Effective sectional area (mm ²)	20	35	60	120	190	300	400
Leakage rate (cm ³ /min)	≤50	≤100		≤200		≤300	
Direction diverting time (sec)	≤0.04	≤0.06		≤0.10		≤0.15	
Switch-over frequency Hz	≥10	≥8		≥4		≥3	
Working pressure (MPa)	0.2 - 0.8						
Voltage (V)	AC: 220 - 110 - 24 / DC: 110 - 24						
Ambient temperature (°C)	-5.....+50						

OUTLOOK & DIMENSION

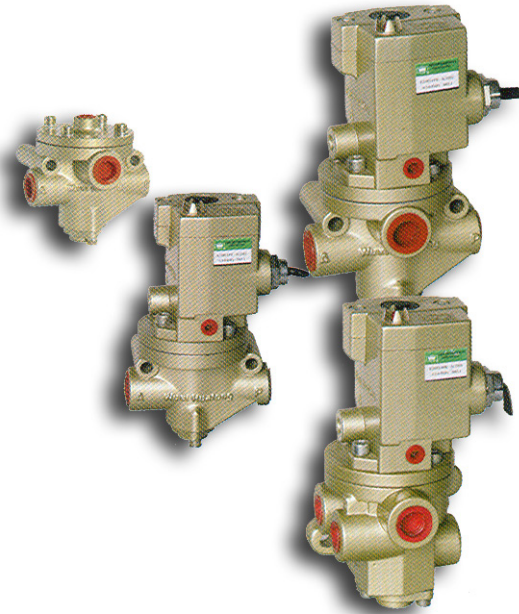
TYPE	DIAMETER	PORT SIZE	A	B	C	D	E	F	G	H	L	M	O
K23J-8W	Ø8	G¼	180	96	78	73	17	16.5	Ø9	45	39	85	G½
K23J-10W	Ø10	G ³ / ₈											
K23J-15W	Ø15	G½											
K23J-20W	Ø20	G¾	195	113	89	82	24	21	Ø9	52	38	105	G1
K23J-25W	Ø25	G1											
K23J-32W	Ø32	G1¼											
K23J-40W	Ø40	G1½	268	165	121	118	37	46	Ø13	75	46	170	G1½



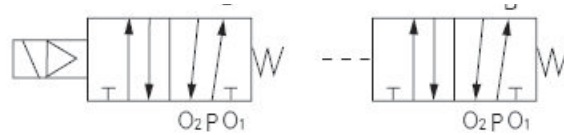
SOLENOID VALVES

WH27 Series directional solenoids and air actuated valves

4/2 MODEL: K 2 5 J - W



GRAPHICAL SYMBOLS

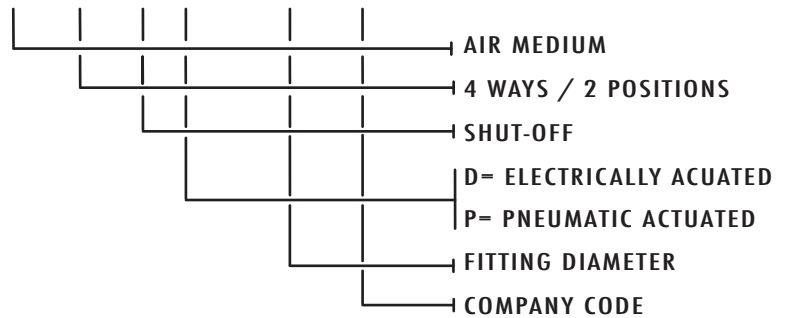


FEATURES

Model K25J-W of WH27 series is pipe fitting shut-off directional valves 4/2 way. Streamlined structure, reliable action easy of maintenance, and especially suited to tough work conditions. Two types: electrically controlled and pneumatical controlled.

NOTE FOR TYPE:

K 2 5 J D - 1 5 W



SPECIFICATION

TYPE	K25J-8W	K25J-10W	K25J-15W	K25J-20W	K25J-25W	K25J-32W	K25J-40W
ITEM							
Flow rate (m ³ /h)	5	7	10	20	30	40	50
Effective sectional area (mm ²)	20	35	60	120	190	300	400
Leakage rate (cm ³ /min)	≤50	≤100		≤200		≤300	
Direction diverting time (sec)	≤0.04	≤0.06		≤0.10		≤0.15	
Switch-over frequency Hz	≥10	≥8		≥4		≥3	
Working pressure (MPa)	0.2 - 0.8						
Voltage (V)	AC: 220 - 110 - 24 / DC: 110 - 24						
Ambient temperature (°C)	-5.....+50						

OUTLOOK & DIMENSION

TYPE	DIAMETER	PORT SIZE	A	B	C	D	E	F	G	H	R	S	X	V	L	O
K25J-8W	Ø8	G ¹ / ₄	180	99	94	45	32	31	Ø10	55	44	19	16	28	90	G ¹ / ₂
K25J-10W	Ø10	G ³ / ₈														
K25J-15W	Ø15	G ¹ / ₂														
K25J-20W	Ø20	G ³ / ₄	222	127	142	52	47	52	Ø10	78	58	21	19	42	132	G1
K25J-25W	Ø25	G1														
K25J-32W	Ø32	G ¹ / ₄	285	155	220	69	55	117	Ø10	140	80	36	35	52	187	G ¹ / ₂
K25J-40W	Ø40	G ¹ / ₂														

