

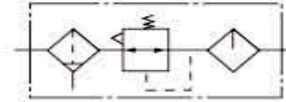
GRIP PNEUMATIC COMPONENTS

JAC Series air supply treatment

MODEL: F . R . L .



GRAPHICAL SYMBOLS

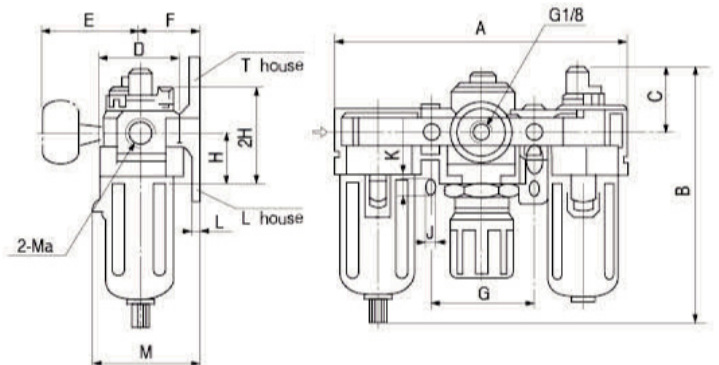


NOTE FOR TYPE:

JA	C	4000	- 04	D	N
Series	Function Code	Specification Code	Port Size	Drain Type	Blank: Standard Type N: Metal Cup
JA Series	F.R.L Combination	1000 2000 2500 3000 4000 5000	M5: M5X0.8 01: G1/8" 02: G1/4" 03: G3/8" 04: G1/2" 06: G3/4" 10: G1"	Blank: Semi automatic Drain D: Automatic Drain	

OUTLOOK & DIMENSION

TYPE	PORT SIZE	A	B	C	D	E	F	G	H	J	K	L	M
JAC1000	M5	91	90	26	25	26	25	33	20	5	8	5	38.5
JAC2000	G1/8	140	126	38	40	57	30	50	24	5.5	8.5	5	50
JAC2000	G1/4	140	126	38	40	57	30	50	24	5.5	8.5	5	50
JAC2500	G1/4	181	155.5	38	40	57	30	50	24	5.5	8.5	5	50
JAC2500	G3/8	181	155.5	38	40	57	30	50	24	5.5	8.5	5	50
JAC3000	G1/4	181	201	41	70	60.5	50	84	40	9	13	7	88
JAC3000	G3/8	181	201	41	70	60.5	50	84	40	9	13	7	88
JAC4000	G3/8	238	191	41	70	60.5	50	84	40	9	13	7	88
JAC4000	G1/2	238	191	41	70	60.5	50	84	40	9	13	7	88
JAC4000	G3/4	253	193	48	95	75.5	70	110	50	12	16	10	117.5
JAC5000	G3/4	300	271.5	48	95	75.5	70	110	50	12	16	10	117.5
JAC5000	G1	300	271.5	48	95	75.5	70	110	50	12	16	10	117.5



SPECIFICATION

TYPE	JAC1000	JAC2000	JAC2000	JAC2500	JAC2500	JAC3000	JAC3000	JAC4000	JAC4000	JAC4000	JAC5000	JAC5000
ITEM												
RATED FLOW	90	500	500	1500	1500	2000	2000	4000	4000	4500	5000	5000
JOINT PIPE BORE	M5	G1/8	G1/4	G1/4	G3/8	G1/4	G3/8	G3/8	G1/2	G3/4	G3/4	G1
FILTER PRECISION	25micron - 5 micron (optional)											
HIGHEST WORKING PRESSURE	1.0 MPa											
ENSURED PRESSURE RESISTANCE	1.5 MPa											
OPERATING TEMPERATURE RANGE	5...60°C											
RANGE OF ADJUSTABLE PRESSURE	0.05...0.7MPa	0.05...0.85MPa										
RECOMMENDED OIL USE	ISO VG32											
CONTAINER MATERIAL	POLYCARBONATE											
PROTECTIVE COVER	NOT AVAILABLE			AVAILABLE								
DRAIN FUNCTION	DIFFERENTIAL DRAIN			DIFFERENTIAL DRAIN - AUTOMATIC DRAIN (optional)								
VALVE TYPE	WITH OVERFLOW											