

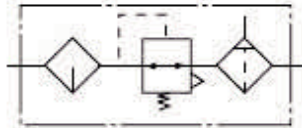
# ERPNEUMATIC COMPONENTS

## JAC Series air supply treatment

MODEL: F R . L .



### GRAPHICAL SYMBOLS

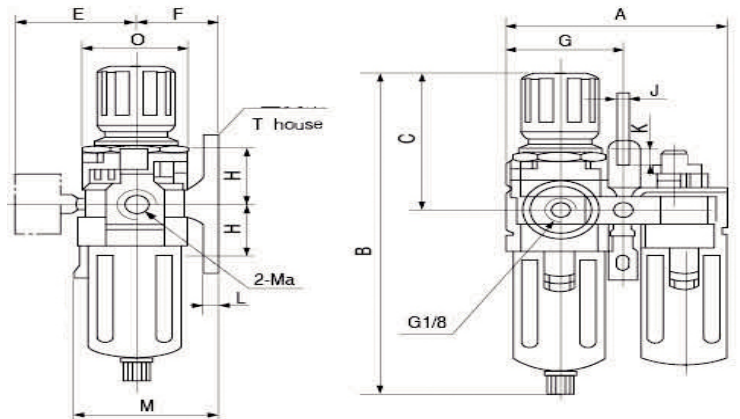


### NOTE FOR TYPE:

<b>JA</b>	<b>C</b>	<b>4010</b>	<b>- 04</b>	<b>D</b>	<b>N</b>
<b>Series</b>	<b>Function Code</b>	<b>Specification Code</b>	<b>Port Size</b>	<b>Drain Type</b>	<b>Blank: Standard Type</b> <b>N: Metal Cup</b>
JA Series	FR.L Combination	1010 2010 3010 4010 5010	<b>M5: M5X0.8</b> <b>01: G1/8"</b> <b>02: G1/4"</b> <b>03: G3/8"</b> <b>04: G1/2"</b> <b>06: G3/4"</b> <b>10: G1"</b>	<b>Blank: Semi automatic Drain</b> <b>D: Automatic Drain</b>	

### OUTLOOK & DIMENSION

TYPE	PORT SIZE	A	B	C	D	E	F	G	H	J	K	L	M
JAC1010	M5	58	100.5	50.5	25	28	25	29	20	5	8	5	38.5
JAC2010	G1/8	56.8	164.5	78	40	56.8	30	45	24	5.5	8.5	5	50
JAC2010	G1/4	56.8	164.5	78	40	56.8	30	45	24	5.5	8.5	5	50
JAC3010	G1/4	60.8	211	92.5	70	60.8	41	58.5	35	9	13	7	88
JAC3010	G3/8	60.8	211	92.5	70	60.8	41	58.5	35	9	13	7	88
JAC4010	G3/8	70.5	262	112	70	70.5	41	77	40	9	13	7	88
JAC4010	G1/2	70.5	262	112	70	70.5	41	77	40	9	13	7	88
JAC4010	G3/4	70.5	267	114	95	70.5	50	82	40	12	16	10	117.5
JAC5010	G3/4	75.5	338	116	95	75.5	60.8	97.5	50	12	16	10	117.5
JAC5010	G1	75.5	338	116	95	75.5	60.8	97.5	50	12	16	10	117.5



### SPECIFICATION

TYPE	JAC1010	JAC2010	JAC2010	JAC3010	JAC3010	JAC4010	JAC4010	JAC4010	JAC5010	JAC5010
ITEM										
RATED FLOW	90	500	500	2000	2000	4000	4000	4500	5000	5000
JOINT PIPE BORE	M5	G1/8	G1/4	G1/4	G3/8	G3/8	G1/2	G3/4	G3/4	G1
FILTER PRECISION	25micron - 5 micron (optional)									
HIGHEST WORKING PRESSURE	1.0 MPa									
ENSURED PRESSURE RESISTANCE	1.5 MPa									
OPERATING TEMPERATURE RANGE	5...60°C									
RANGE OF ADJUSTABLE PRESSURE	0.05...0.7MPa	0.05...0.85MPa								
RECOMMENDED OIL USE	ISO VG32									
CONTAINER MATERIAL	POLYCARBONATE									
PROTECTIVE COVER	NOT AVAILABLE									
DRAIN FUNCTION	DIFFERENTIAL DRAIN									
VALVE TYPE	WITH OVERFLOW									