

DRG Pressure Controller, Remote Control

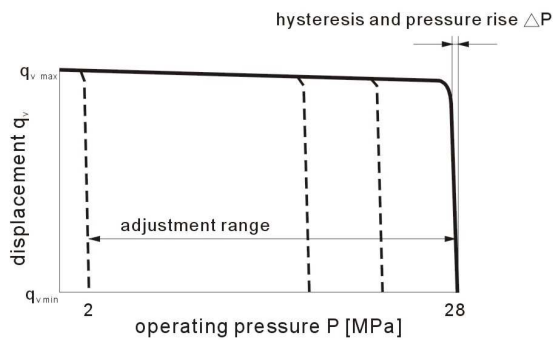
Function and equipment as for DR.

A pressure relief valve can be connected to port X for remote control applications; this is not included in the items supplied with the DRG control.

The standard pressure differential setting at the control valve is 2 MPa. A pilot oil flow of approx. 1.5 L/min is then used. If an other setting (range 1-2.2 Mpa) is required please indicate in clear text.

● Static Operating Curve

(at $n_1=1500$ rpm; $t_{oil}=50$ °C)



● Controller Data

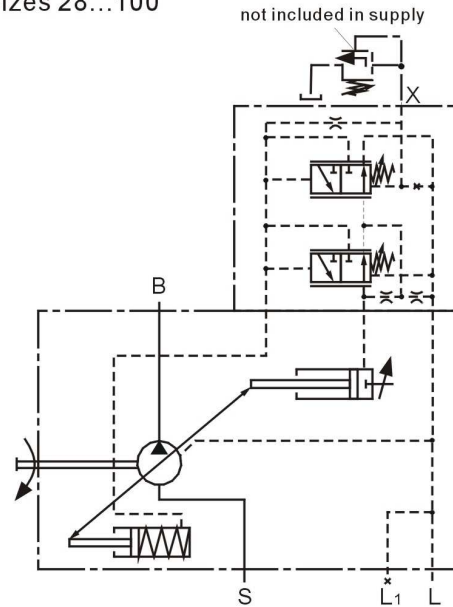
Hysteresis ΔP _____ max. 0.3 MPa

Max. pressure rise

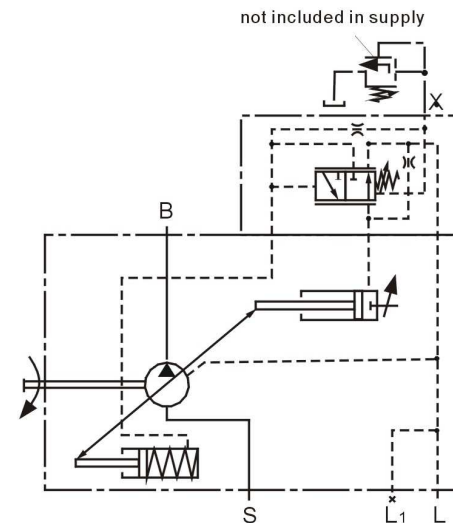
Size	28	45	71	100	140
ΔP MPa	0.4	0.6	0.8	1.0	1.2

Pilot oil requirement _____ approx. 4.5 L/min

Sizes 28...100



Size 140



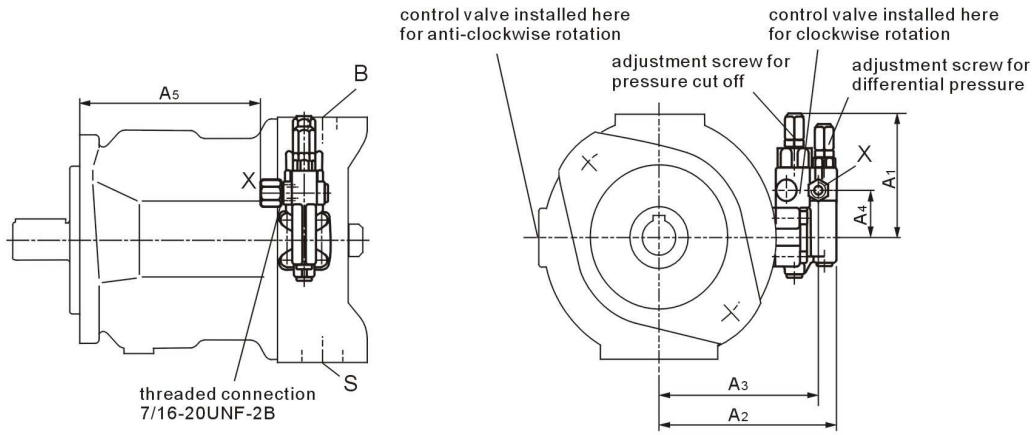
Ports

- B Pressure port
- S Suction port
- L, L₁ Case drain ports (L₁ plugged)
- X Pilot pressure port

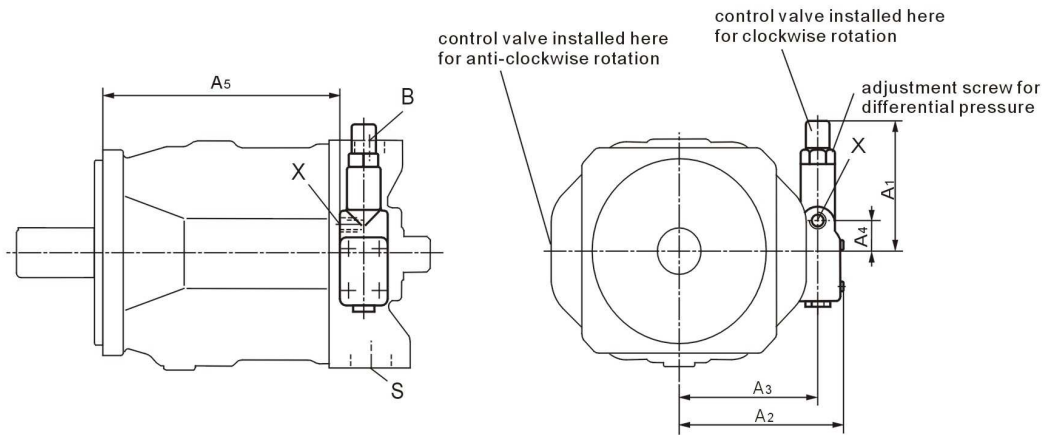
Installation Dimensions

HA10VSO※DRG/31R-※12N00

Sizes 28... 100



Size 140



Size	A ₁	A ₂	A ₃	A ₄	A ₅	Port X	
28	109	136	119	40	119	M14 × 1.5; 12 deep	} with adaptor
45	106	146	129	40	134	M14 × 1.5; 12 deep	
71	106	160	143	40	162	M14 × 1.5; 12 deep	
100	106	165	148	40	229	M14 × 1.5; 12 deep	
140	127	169	143	27	244	M14 × 1.5; 12 deep	without adaptor