

# E.P.R. HYDRAULIC DIVISION: HIGH-TECH PUMPS

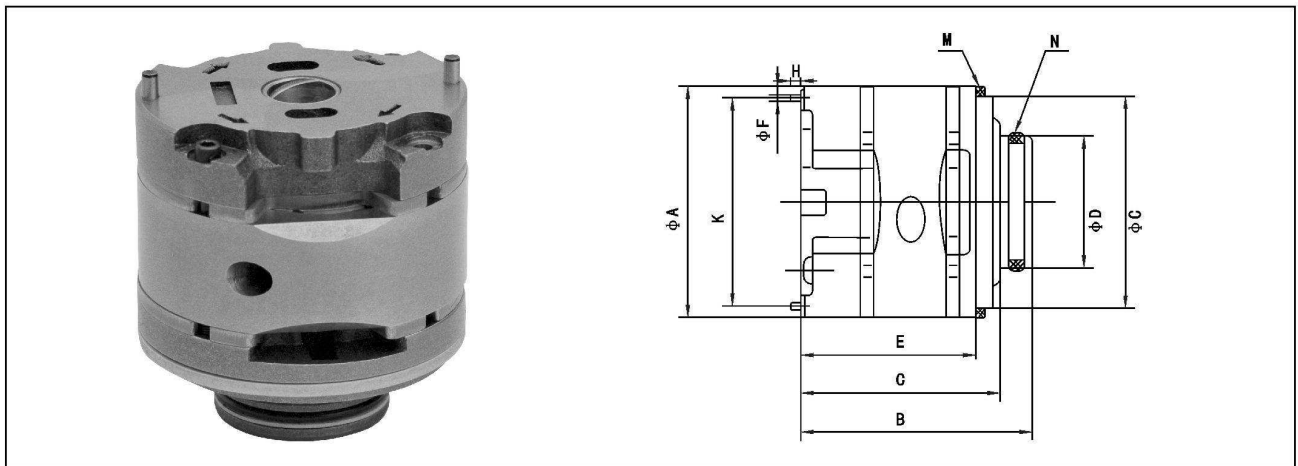
## ■ VQ Series Cartridge Kits

### Model Code

(F3-)	PC-	20VQ	-5	-R	-10
Prefix	Cartridge kits mark	Series	▲ Code	Rotation	Design
Omit-Using antiwear oil water glycol fluid	PC-Single pump cartridge kits Double pump shaft end pump cartridge kits	20VQ	2,3,4,5,6,7,8,9,10, 11,12,14	(Viewed from shaft end )  R-Right hand for clockwise L-Left hand for counter clockwise	10
		25VQ	10,12,14,15,17,19, 21		
F3-Phosphated ester fluid	PCT-Double pump cover end pump cartridge kits	35VQ	21,25,30,32,35,38		
		45VQ	42,45,50,57,60,66,75		

▲ Rated capacity(USgpm)at 1200 rpm,0.69 MPa (100 psi).

### Installation dimensions



Series	A	B	C	D	E	F	G	H	K	M (Gasket)	N (O-Ring)
20VQ	82.5	81.5	70.1	47	61.5	4.8	76.2	7	73.6	82.76×76.26×3.5	40×3.5
25VQ	96.8	98.8	87	52.2	71.2	4.8	90.5	7	88.19	97×91×3.5	44×3.53
35VQ	114.3	117.7	105	72.2	90.3	6.4	108	7	103.94	114.5×108.5×3.5	63.09×3.53
45VQ	133.35	141.1	129.6	80.2	105.5	6.4	127	11	133.35	133.6×127.6×3.5	71×3.55

Series	Inner spline dentiform parameter of rotor				
	Pitch	Number of teeth	Pressure angle	Major diameter	Minor diameter
20VQ	48/96	30	45°	16.617	15.56
25VQ	48/96	40	45°	21.9	20.86
35VQ	40/80	37	45°	24.38	23.1
45VQ	12/24	14	30°	32.59	27.60