

E.P.R. HYDRAULIC DIVISION: HIGH-TECH PUMPS

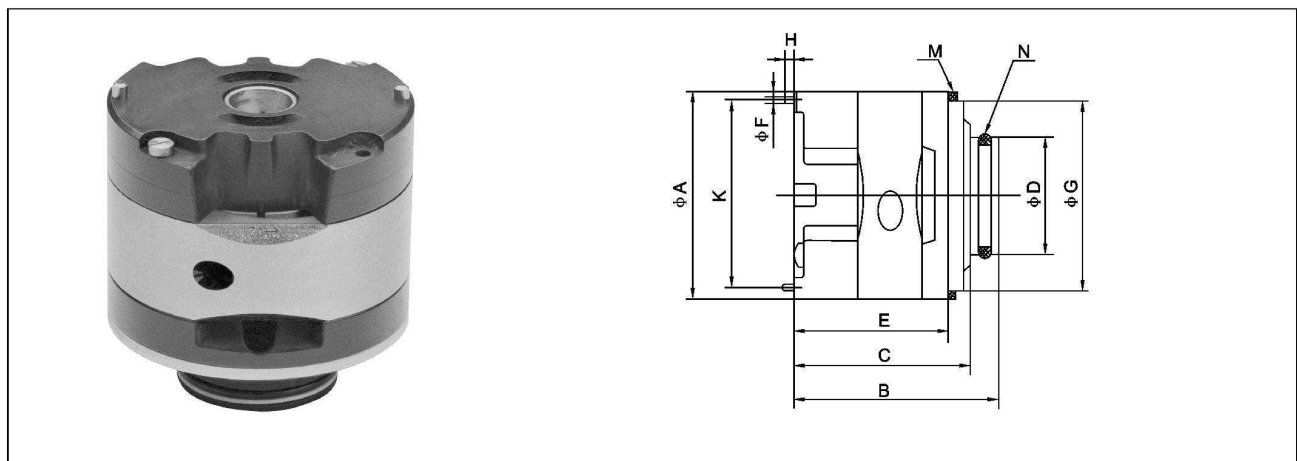
■ V Series Cartridge Kits

Model Code

(F3-)	PC-	25V	-5	-R	-10
Prefix	Cartridge kits mark	Series	▲ Code	Rotation	Design
Omit-Using antiwear oil water glycol fluid F3-Phosphate ester fluid	PC-Single pump cartridge kits Double pump shaft end pump cartridge kits	20V	2,3,4,5,6,7,8,9,10, 11,12,14	(Viewed from shaft end) R-Right hand for clockwise L-Left hand for counter clockwise	10
		25V	10,12,14,15,17,19,21		
	35V	21,25,30,32,35,38			
	45V	42,45,50,57,60,66,75			

▲ Rated capacity(USgpm) at 1200 rpm,0.69 MPa(100 psi).

Installation dimensions



Series	A	B	C	D	E	F	G	H	K	M(Gasket)	N(O-Ring)
20V	82.5	81.5	70.1	47	61.5	4.8	76.2	6	73.6	82.76×76.26×3.5	40×3.5
25V	96.8	98.8	87	52.2	71.2	4.8	90.5	5	88.19	97×91×3.5	44×3.53
35V	114.3	117.7	105	72.2	90.3	6.4	108	6	103.94	114.5×108.5×3.5	63.09×3.53
45V	133.35	141.1	129.6	80.2	105.5	6.4	127	10	133.35	133.6×127.6×3.5	71×3.55

Series	Inner spline dentiform parameter of rotor				
	Pitch	Number of teech	Pressure angle	Major diameter	Minor diameter
20V	48/96	30	45°	16.617	15.56
25V	48/96	40	45°	21.9	20.86
35V	40/80	37	45°	24.38	23.1
45V	12/24	14	30°	32.59	27.60

V Series Low Noise Vane Pumps