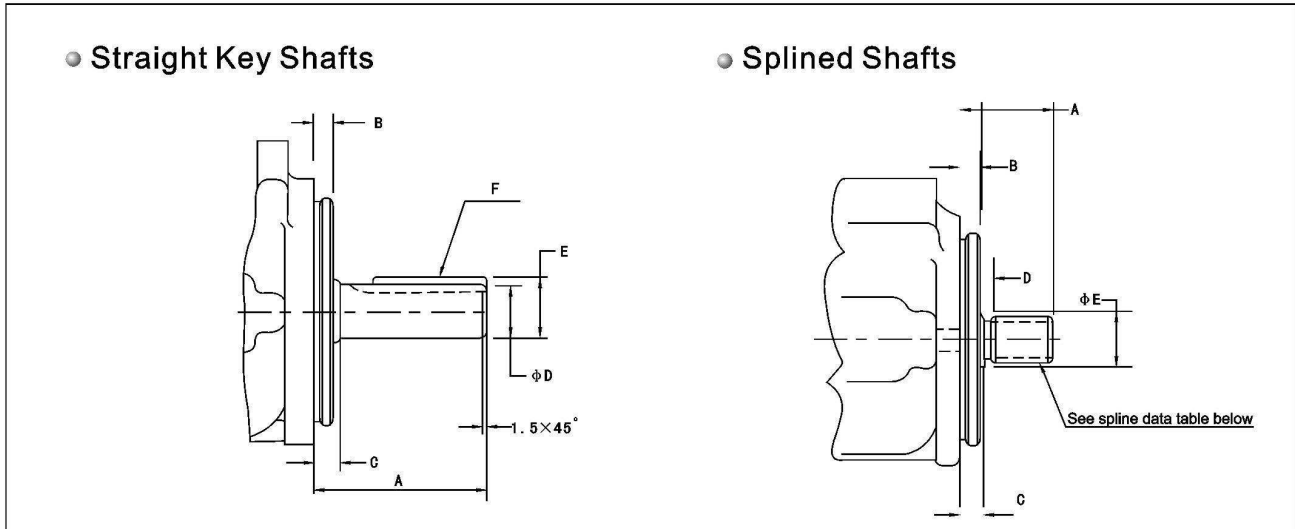


E.P.R. HYDRAULIC DIVISION: HIGH-TECH PUMPS

V/VQ/SQP Series Vane Pumps Optional Shafts



● Straight Key Shafts

Model			Shaft Code	A	B	C	D	E	F Key width × Length
V	VQ	SQP							
20V	20VQ	SQP1	1	59	9.53	12.1	22.23/22.20	24.5/24.4	4.76×32
25V	25VQ	SQP2	1	59	9.53	11.1	22.23/22.20	24.5/24.4	4.76×32
2520V	2520VQ	SQP21	86	78	9.53	11.1	25.37/25.35	28.3/28.1	6.36×50.8
35V	35VQ	SQP3	1	73.2	9.53	11.1	31.75/31.70	35.36/34.10	7.94×38.1
352*V	352*VQ	SQP3*	86	86	9.53	11.1	34.90/34.87	38.6/38.3	7.94×54
45V	45VQ	SQP4	1	62	12.7	14.22	31.75/31.70	35.36/34.10	7.94×28.5
45**V	45**VQ	SQP4*	86	87.4	12.7	14.22	38.07/38.05	42.4/42.1	9.54×50.8

● Splined Shafts

Model		Shaft Code	A	B	C	D	E	Spline Data (See below)
V	VQ							
20V	20VQ	151	41.1	9.53	11.1	3.9	27.8	A
25V	25VQ	11	44.5	9.53	11.1	3.9	27.8	A
2520V	2520VQ							
35V	35VQ	11	58.7	9.53	11.1	6.35	35.1	C
352*V	352*VQ							
45V	45VQ	11	61.9	12.7	14.3	9.7	39.6	C
45**V	45**VQ							

● Spline Data Table (Involute splines from above chart)

Spline Data Reference	Number of Teeth	Pitch	Major Diameter	Form Diameter	Minor Diameter	Minor Diameter
A	13	16/32	22.17	19.03	18.63	Major dia. fit
			22.15		18.35	
C	14	12/24	31.7	27.2	26.99	Major dia. fit
			31.67		26.64	

**V/VQ/SQP Series
Vane Pumps Optional Shafts**