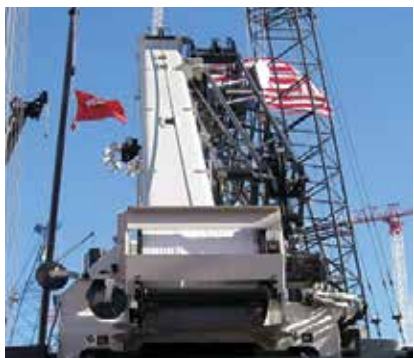




# Winches



# About WPT Power



Power. It's in our name and in our products.

Since 1992, WPT® Power Corporation has built an international reputation for excellence and has become a global technology leader.

Our success is built on quality products, outstanding lead-times and over twenty years of hands-on knowledge in the winch industry.

Engineered for simplicity, reliability and durability, our equipment is thoroughly tested in our manufacturing process ensuring that every precaution is taken for both personal and environmental safety.

The testing center at WPT® Power simulates real life situations providing an excellent platform to prove the quality and reliability of our products and designs.

As a global technology leader, WPT® engineers specialize in products that will meet and exceed your expectations from standard applications to designs engineered for your specific needs.

In addition to our own quality standards, we test to SAE J706 standards helping you choose WPT® products with confidence.

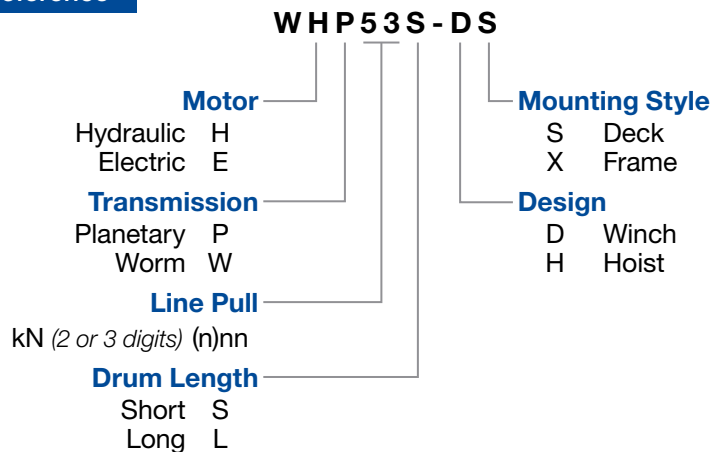
Competitive pricing, quality products, outstanding lead-times and customer service make WPT® the OEM supplier of choice for major manufacturers worldwide.

*Let us show you how our power  
can work for you.*

# Contents

▶ Page 2	<b>Planetary Hydraulic Winches</b> 12,000 lbf through 130,000 lbf
▶ Page 13	<b>Planetary Hydraulic Hoists</b> 8,000 lbf through 11,000 lbf
▶ Page 19	<b>Worm Gear Hydraulic Winches</b> 9,000 lbf through 20,000 lbf
▶ Page 16	<b>Worm Gear Electric Winches</b> 9,000 lbf
▶ Page 20	<b>Winch Accessories</b> Fairleads and Cable Tensioners
▶ Page 21	<b>Winch Application Data Sheet</b>

## Nomenclature Reference



WPT Power is constantly striving to improve and develop the product range. For this reason, WPT Power reserves the right to make changes in any product information without prior notice. Every effort has been made to ensure that the dimensions, performance, specifications, etc. are correct at the time of printing. Request drawing for specific winch dimensions. For more information, please contact your authorized WPT Power distributor or visit: [WPTpower.com](http://WPTpower.com).

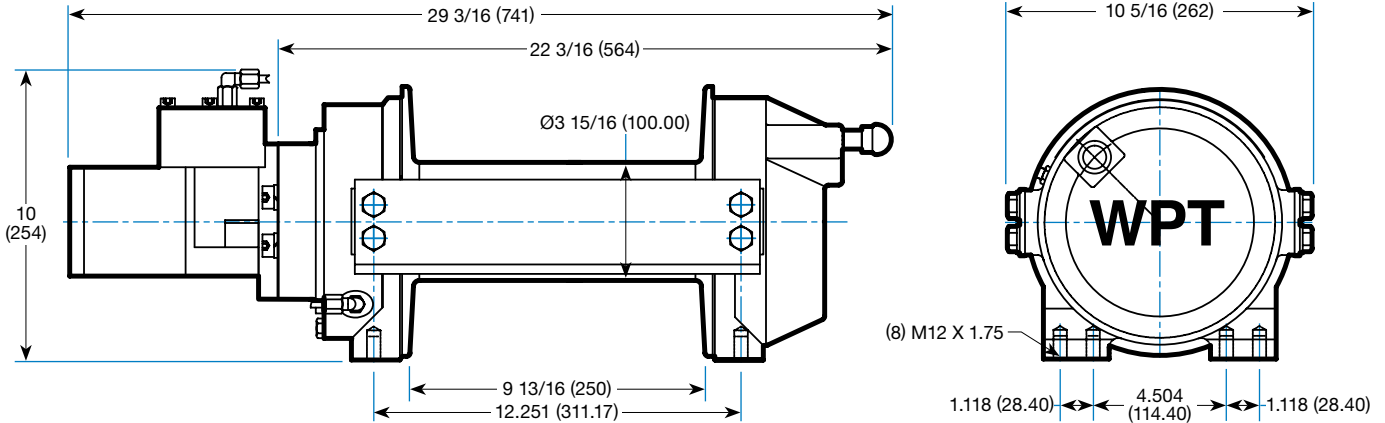
# WHP53S-DS

## 12,000 lbf Planetary Hydraulic Winch



### WHP53S-DS Product Features:

- Efficient single-stage hydraulic planetary design
- Multiple disc brake is spring-applied and hydraulically released
- Spring-loaded clutch design disengages for free spooling
- Recommended use with 7/16" (11mm) cable
- Available with manual or air shift operation
- Conforms to SAE J706 standard



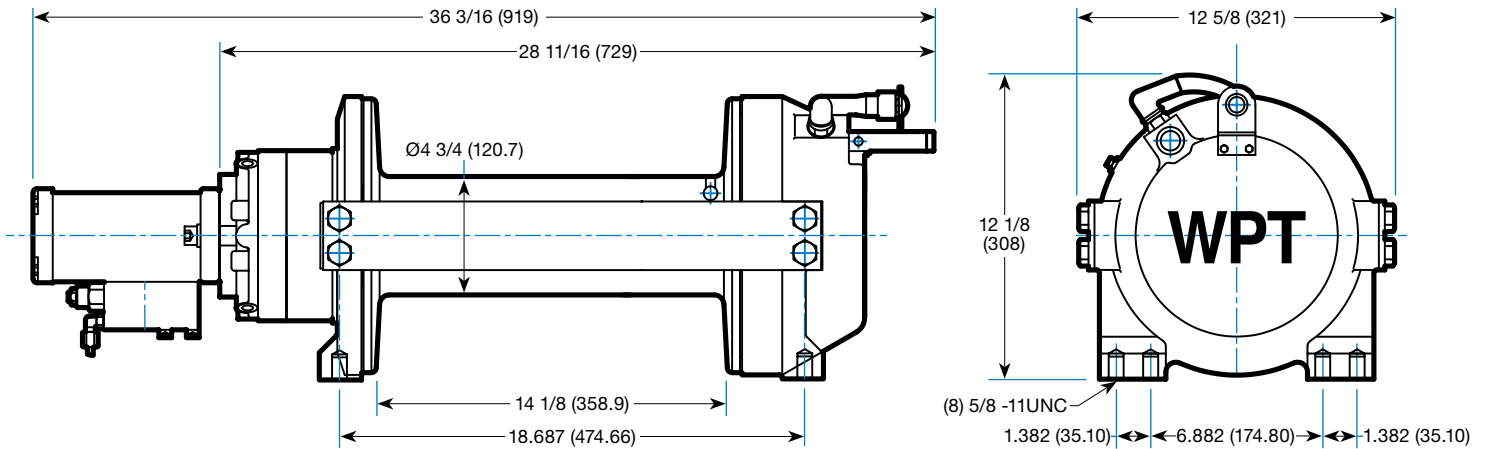
Gear Ratio	Weight lb kg	Hydraulic Motor		Bare Drum		Full Drum		Drum Capacity Cable Dia. Length
		Flow gal/min l/min	Pressure lbf/in <sup>2</sup> MPa	Line Pull lbf kN	Line Speed ft/min m/min	Line Pull lbf kN	Line Speed ft/min m/min	
5 : 1	154	16	2,800	12,000	20	6,500	36	7/16" - 160'
	70	60	19	53	6	29	11	11mm - 48m

# WHP67S-DS

## 15,000 lbf Planetary Hydraulic Winch

### WHP67S-DS Product Features:

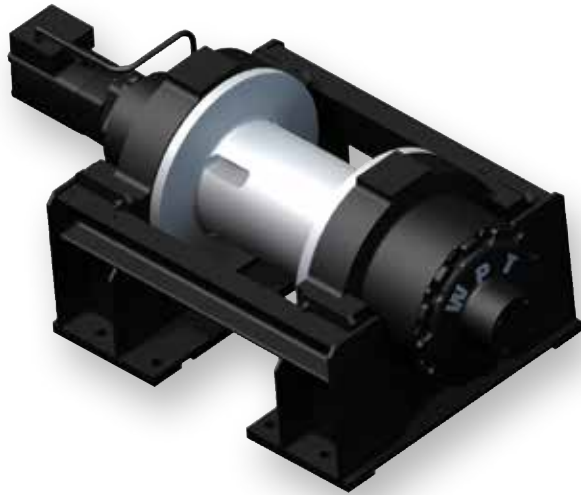
- Efficient single-stage hydraulic planetary design
- Multiple disc brake is spring-applied and hydraulically released
- Easy, fast spooling with manual or air release
- Recommended use with 1/2" (13mm) cable
- Conforms to SAE J706 standard



Gear Ratio	Weight lb kg	Hydraulic Motor		Bare Drum		Full Drum		Drum Capacity Cable Dia. Length
		Flow gal/min l/min	Pressure lbf/in <sup>2</sup> MPa	Line Pull lbf kN	Line Speed ft/min m/min	Line Pull lbf kN	Line Speed ft/min m/min	
7.7 : 1	300	15	2,400	15,000	25	7,600	49	1/2" - 310'
	136	57	17	67	7.6	34	15	13mm - 94m

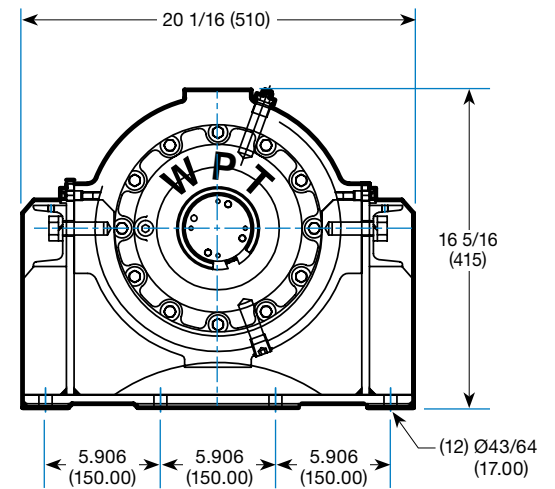
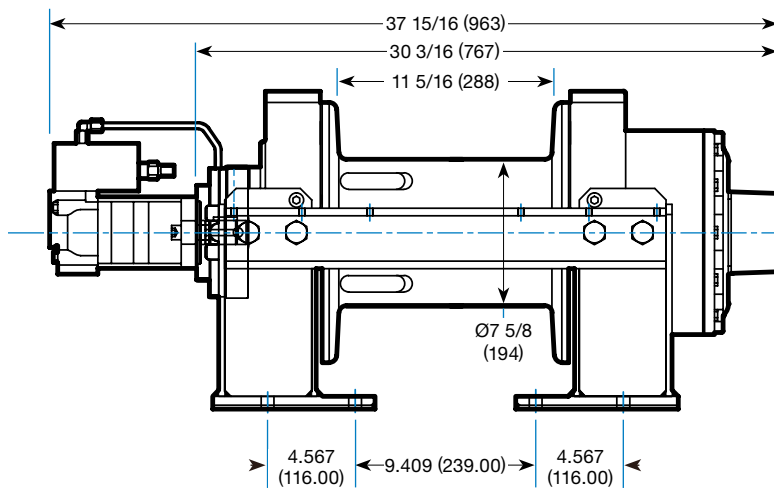
# WHP102L-DS

## 23,000 lbf Planetary Hydraulic Winch



### WHP102L-DS Product Features:

- Efficient two-stage hydraulic planetary design
- Multiple disc brake is spring-applied and hydraulically released
- Spring-loaded clutch design disengages for free spooling
- Recommended use with 5/8" (16mm) cable
- Available with manual or air shift operation
- Optional grooved drum reduces cable wear in multilayer spooling
- Conforms to SAE J706 standard



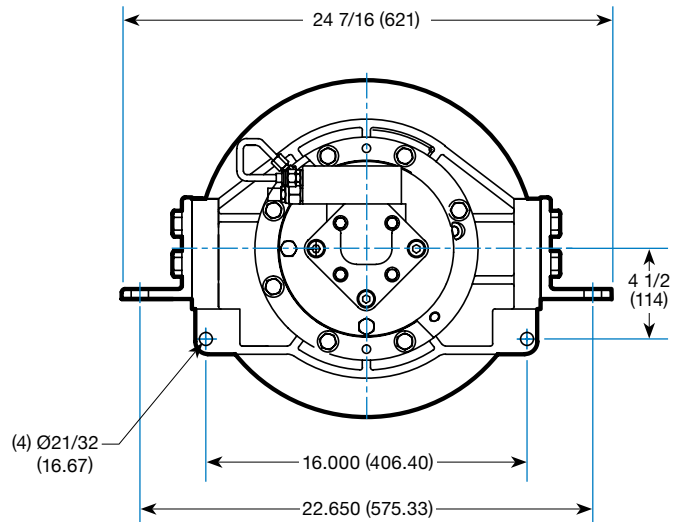
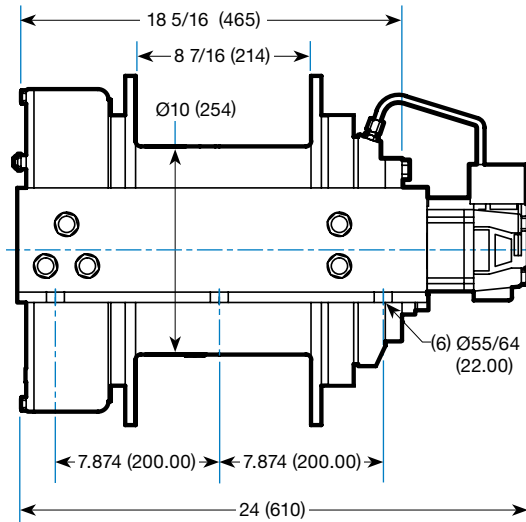
Gear Ratio	Weight lb kg	Hydraulic Motor		Bare Drum		Full Drum		Drum Capacity Cable Dia. Length
		Flow gal/min l/min	Pressure lbf/in <sup>2</sup> MPa	Line Pull lbf kN	Line Speed ft/min m/min	Line Pull lbf kN	Line Speed ft/min m/min	
32 : 1	550	16	3,050	23,000	20	16,700	28	5/8" - 174'
	250	60	21	102	6.2	74	8.6	16mm - 53m

# WHP102S-DS

## 23,000 lbf Planetary Hydraulic Winch

### WHP102S-DS Product Features:

- Efficient two-stage hydraulic planetary design
- Multiple disc brake is spring-applied and hydraulically released
- Spring-loaded clutch design disengages for free spooling
- Recommended use with 5/8" (16mm) cable
- Available with manual or air shift operation
- Optional grooved drum reduces cable wear in multilayer spooling
- Conforms to SAE J706 standard



Gear Ratio	Weight lb kg	Hydraulic Motor		Bare Drum		Full Drum		Drum Capacity Cable Dia. Length
		Flow gal/min l/min	Pressure lbf/in <sup>2</sup> MPa	Line Pull lbf kN	Line Speed ft/min m/min	Line Pull lbf kN	Line Speed ft/min m/min	
36 : 1	397	16	2,320	23,000	20	17,900	26	5/8" - 207'
	180	61	16	102	6.2	79	7.9	16mm - 63m

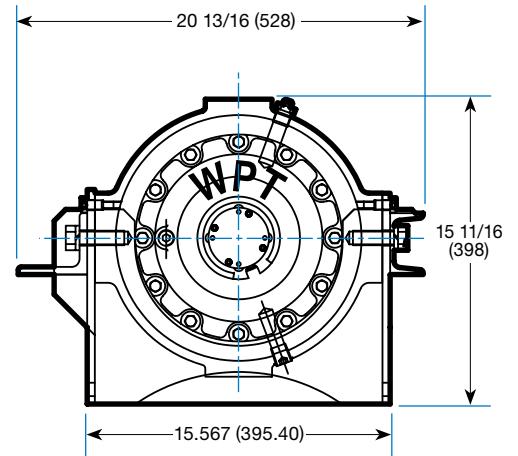
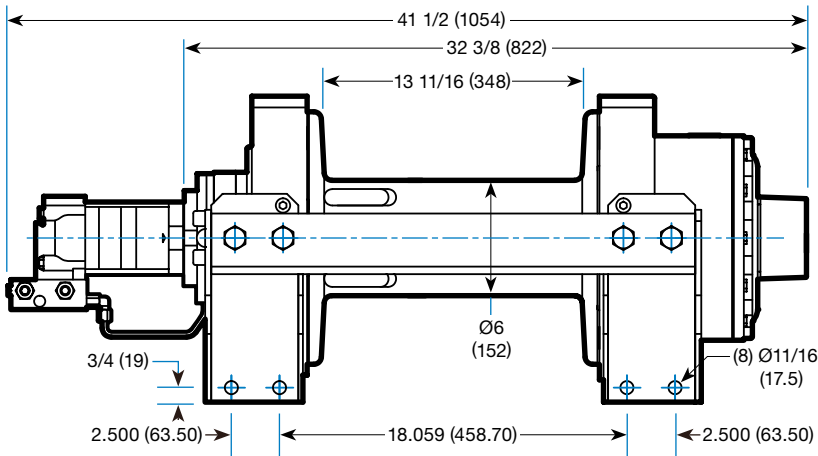
# WHP134S-DS

## 30,000 lbf Planetary Hydraulic Winch



### WHP134S-DS Product Features:

- Efficient two-stage hydraulic planetary design
- Multiple disc brake is spring-applied and hydraulically released
- Spring-loaded clutch design disengages for free spooling
- Recommended use with 5/8" (16mm) cable
- Available with manual or air shift operation
- Conforms to SAE J706 standard



Gear Ratio	Weight lb kg	Hydraulic Motor		Bare Drum		Full Drum		Drum Capacity Cable Dia. Length
		Flow gal/min l/min	Pressure lbf/in <sup>2</sup> MPa	Line Pull lbf kN	Line Speed ft/min m/min	Line Pull lbf kN	Line Speed ft/min m/min	
32 : 1	485	15	3,050	30,000	19	17,000	33	5/8" - 230'
	220	57	21	133	5.7	75	10	16mm - 71m

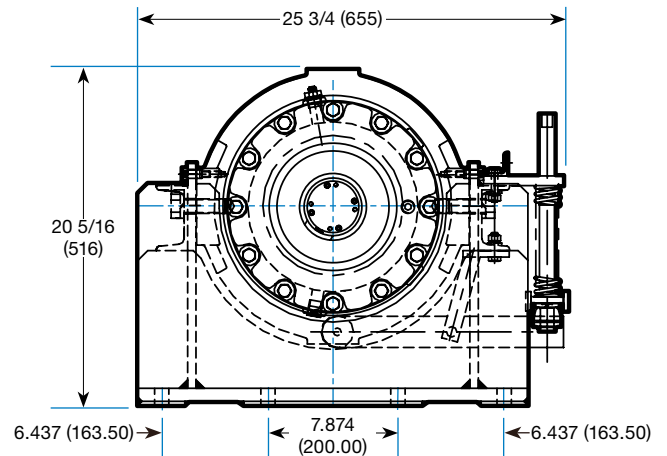
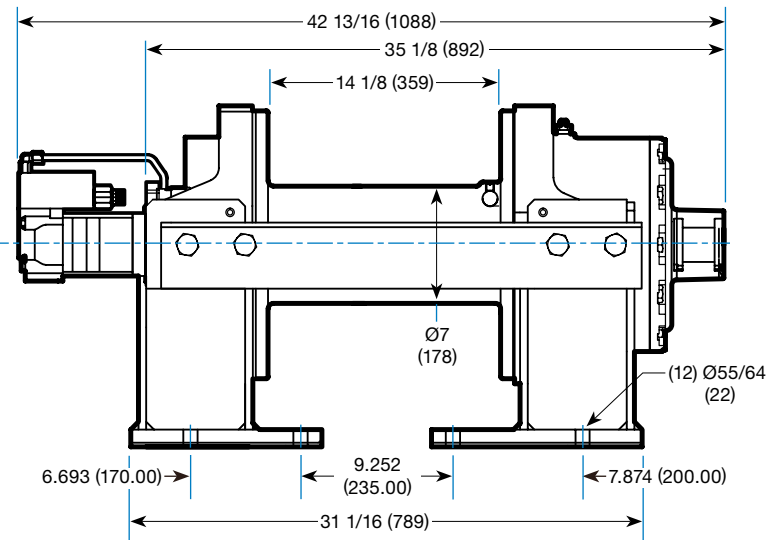
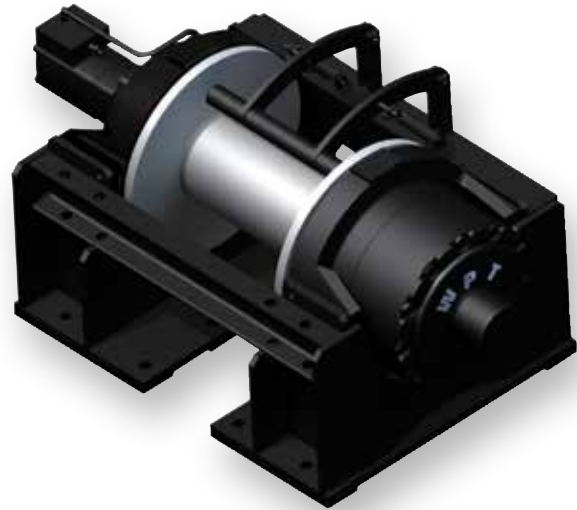


# WHP147S-DS

## 33,000 lbf Planetary Hydraulic Winch

### WHP147S-DS Product Features:

- Efficient two-stage hydraulic planetary design
- Multiple disc brake is spring-applied and hydraulically released
- Spring-loaded clutch design disengages for free spooling
- Recommended use with 3/4" (19mm) cable
- Manual shift operation
- Conforms to SAE J706 standard



Gear Ratio	Weight lb kg	Hydraulic Motor		Bare Drum		Full Drum		Drum Capacity Cable Dia. Length
		Flow gal/min l/min	Pressure lbf/in <sup>2</sup> MPa	Line Pull lbf kN	Line Speed ft/min m/min	Line Pull lbf kN	Line Speed ft/min m/min	
52 : 1	837	19	2,600	33,000	10	18,000	18	3/4" - 258'
	180	70	16	147	3.2	81	5.8	19mm - 79m

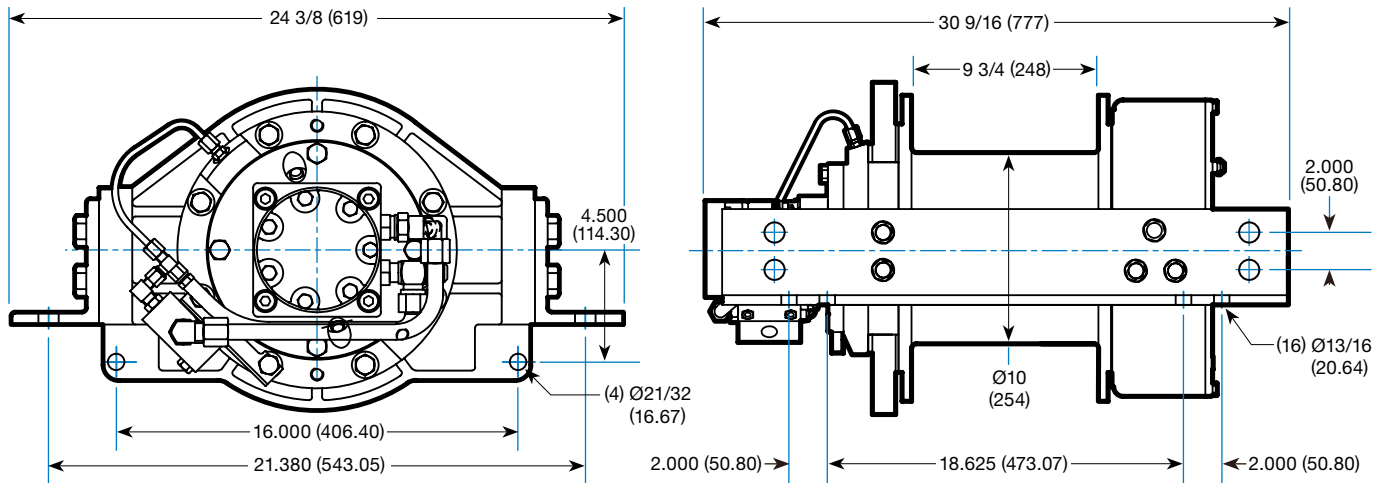
# WHP156S-DS

## 35,000 lbf Planetary Hydraulic Winch



### WHP156S-DS Product Features:

- Efficient two-stage hydraulic planetary design
- Multiple disc brake is spring-applied and hydraulically released
- Spring-loaded clutch design disengages for free spooling
- Recommended use with 3/4" (19mm) cable
- Air shift operation
- Conforms to SAE J706 standard



Long drum winch number WHP156L-DS is available, drum length 13 5/8" (346) with 158 ft (48m) wire rope capacity.

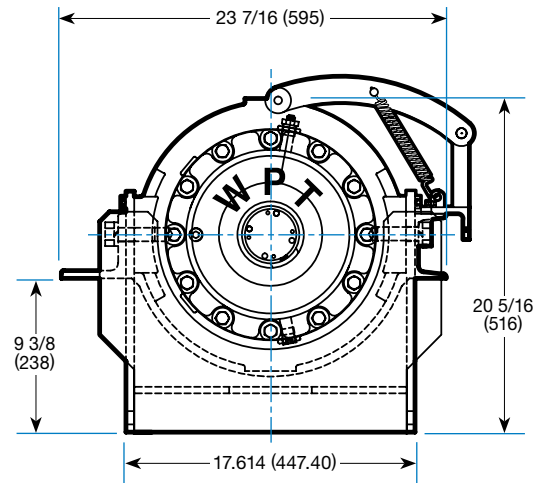
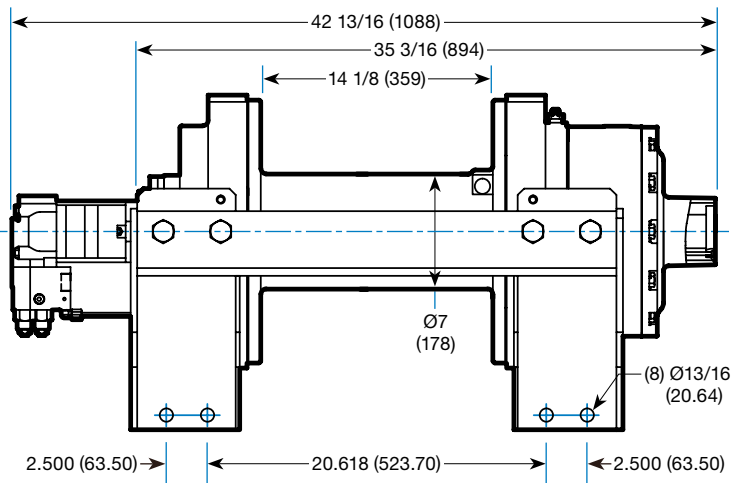
Gear Ratio	Weight lb kg	Hydraulic Motor		Bare Drum		Full Drum		Drum Capacity Cable Dia. Length
		Flow gal/min l/min	Pressure lbf/in <sup>2</sup> MPa	Line Pull lbf kN	Line Speed ft/min m/min	Line Pull lbf kN	Line Speed ft/min m/min	
36 : 1	441	18	2,600	35,000	18	27,400	23	3/4" - 111'
	200	70	18	156	5.5	122	7	19mm - 34m

# WHP200S-DS

## 45,000 lbf Planetary Hydraulic Winch

### WHP200S-DS Product Features:

- Efficient two-stage hydraulic planetary design
- Multiple disc brake is spring-applied and hydraulically released
- Spring-loaded clutch design disengages for free spooling
- Recommended use with 3/4" (19mm) cable
- Air shift operation
- Conforms to SAE J706 standard



Cable Tensioner option shown

Gear Ratio	Weight lb kg	Hydraulic Motor		Bare Drum		Full Drum		Drum Capacity Cable Dia. Length
		Flow gal/min l/min	Pressure lbf/in <sup>2</sup> MPa	Line Pull lbf kN	Line Speed ft/min m/min	Line Pull lbf kN	Line Speed ft/min m/min	
52 : 1	800	25	3,050	45,000	23	25,300	40	3/4" - 255'
	360	95	21	200	7	112	12	19mm - 78m

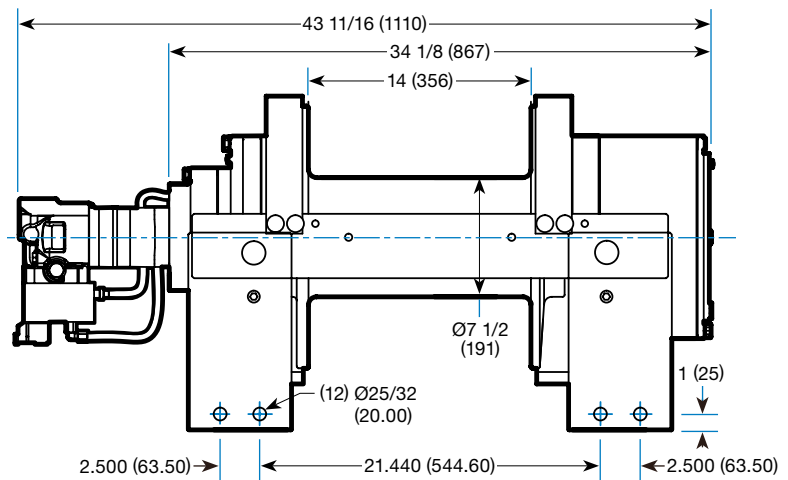
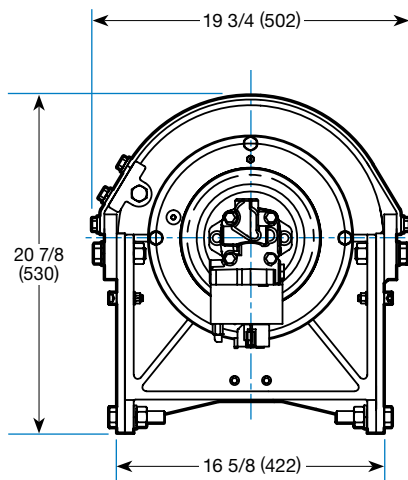
# WHP223S-DS

## 50,000 lbf Planetary Hydraulic Winch



### WHP223S-DS Product Features:

- Efficient three-stage hydraulic planetary design
- Multiple disc brake is spring-applied and hydraulically released
- Spring-loaded clutch design disengages for free spooling
- Recommended use with 7/8" (22mm) cable
- Conforms to SAE J706 standard
- Air shift operation



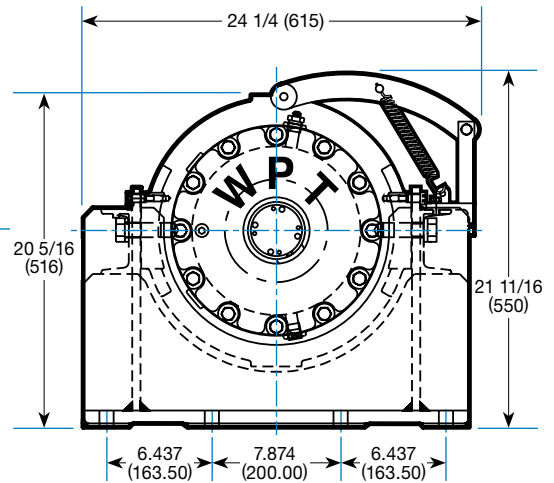
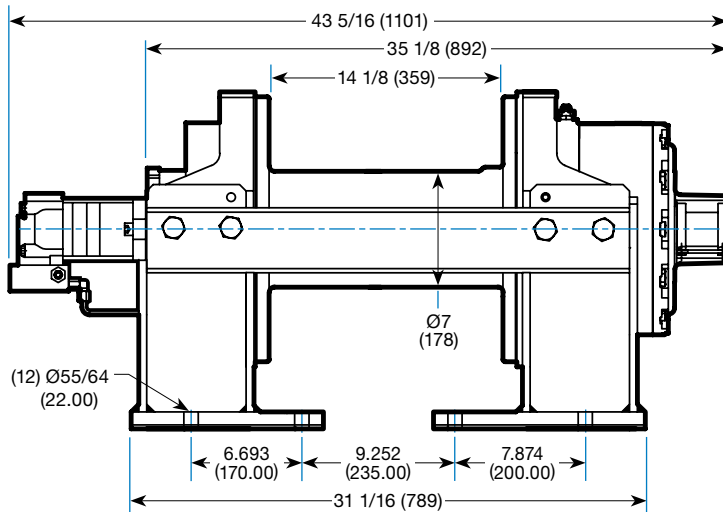
Gear Ratio	Weight lb kg	Hydraulic Motor		Low Speed				High Speed				Drum Capacity Cable Dia. Length
		Flow gal/min l/min	Pressure lbf/in <sup>2</sup> MPa	Bare Drum		Full Drum		Bare Drum		Full Drum		
				Line Pull lbf kN	Line Speed ft/min m/min	Line Pull lbf kN	Line Speed ft/min m/min	Line Pull lbf kN	Line Speed ft/min m/min	Line Pull lbf kN	Line Speed ft/min m/min	
84 : 1	930	25	2,900	50,000	18	27,200	33	25,000	36	13,600	66	7/8" - 224'
	420	95	20	222	5.5	121	10	111	11	61	20	22mm - 68m

# WHP245S-DS

## 55,000 lbf Planetary Hydraulic Winch

### WHP245S-DS Product Features:

- Efficient two-stage hydraulic planetary design
- Multiple disc brake is spring-applied and hydraulically released
- Spring-loaded clutch design disengages for free spooling
- Recommended use with 7/8" (22mm) cable
- Air shift operation



Cable Tensioner option shown

Gear Ratio	Weight lb kg	Hydraulic Motor		Bare Drum		Full Drum		Drum Capacity Cable Dia. Length
		Flow gal/min l/min	Pressure lbf/in <sup>2</sup> MPa	Line Pull lbf kN	Line Speed ft/min m/min	Line Pull lbf kN	Line Speed ft/min m/min	
52 : 1	840	14	3,000	55,000	9.8	30,500	18	7/8" - 233'
	380	53	21	245	3	136	5.4	22mm - 71m

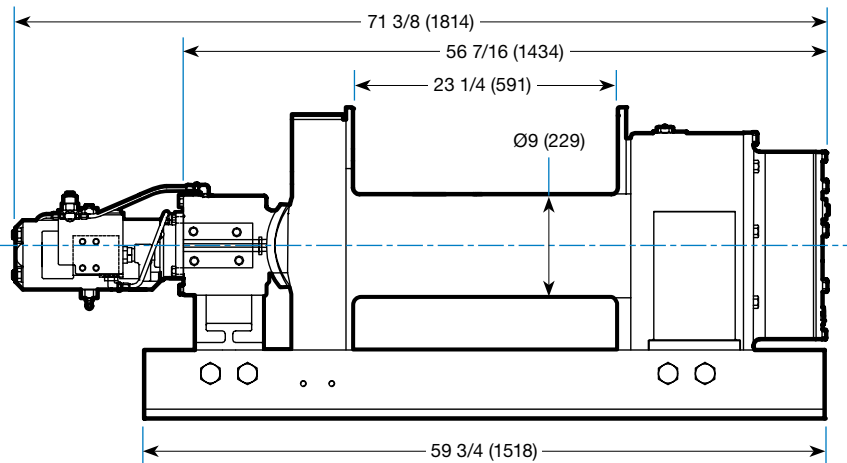
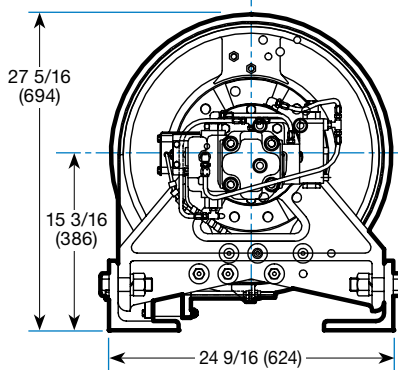
# WHP585S-DS

## 130,000 lbf Planetary Hydraulic Winch



### WHP585S-DS Product Features:

- Efficient three-stage hydraulic planetary design
- Multiple disc brake is spring-applied and hydraulically released
- Spring-loaded clutch design disengages for free spooling
- Recommended use with 1 1/8" (28.6mm) cable
- Air shift operation



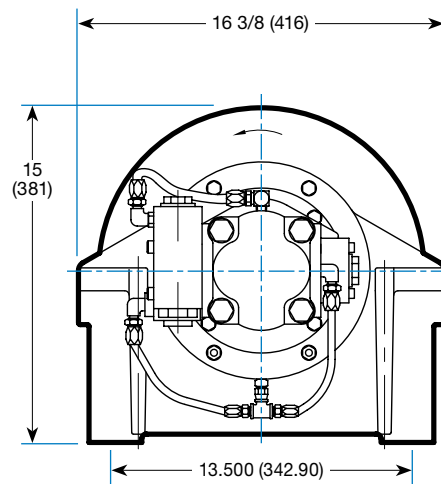
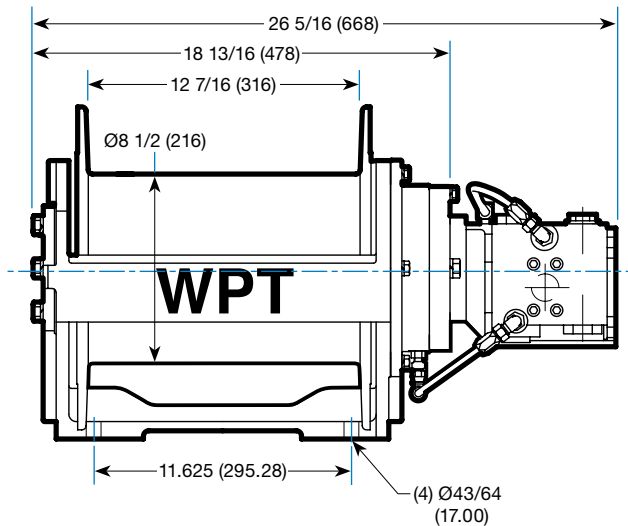
Gear Ratio	Weight lb kg	Hydraulic Motor		Low Speed				High Speed				Drum Capacity Cable Dia. Length
		Flow gal/min l/min	Pressure lbf/in <sup>2</sup> MPa	Bare Drum		Full Drum		Bare Drum		Full Drum		
				Line Pull lbf kN	Line Speed ft/min m/min	Line Pull lbf kN	Line Speed ft/min m/min	Line Pull lbf kN	Line Speed ft/min m/min	Line Pull lbf kN	Line Speed ft/min m/min	
212 : 1	2,200	60	2,500	130,000	16	62,000	32	65,000	32	31,000	64	1 1/8" - 495'
	1,000	230	18	580	5	280	10	290	10	140	20	28.6mm - 151m

# WHP36S-HS

## 8,000 lbf Planetary Hydraulic Hoist

### WHP36S-HS Product Features:

- Efficient two-stage hydraulic planetary design
- Multiple disc brake is spring-applied and hydraulically released
- Recommended use with 1/2" (13mm) cable
- Easily serviced compact design



Gear Ratio	Weight lb kg	Hydraulic Motor		Bare Drum		Full Drum		Drum Capacity Cable Dia. Length
		Flow gal/min l/min	Pressure lbf/in <sup>2</sup> MPa	Line Pull lbf kN	Line Speed ft/min m/min	Line Pull lbf kN	Line Speed ft/min m/min	
59 : 1	415	65	1,400	8,000	138	5,600	200	1/2" - 344'
	188	246	9.7	36	42	25	60	13mm - 105m

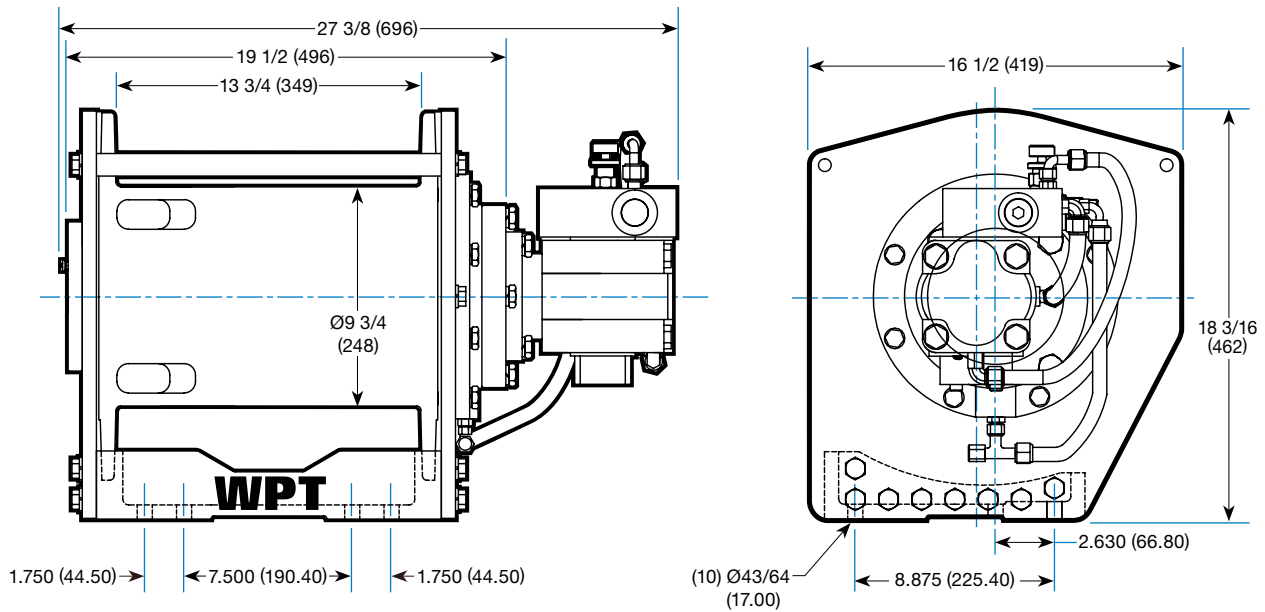
# WHP53S-HS

## 11,000 lbf Planetary Hydraulic Hoist



### WHP53S-HS Product Features:

- Efficient two-stage hydraulic planetary design
- Multiple disc brake is spring-applied and hydraulically released
- Recommended use with 1/2" (13mm) cable
- Easily serviced compact design



Gear Ratio	Weight lb kg	Hydraulic Motor		Bare Drum		Full Drum		Drum Capacity Cable Dia. Length
		Flow gal/min l/min	Pressure lb/in <sup>2</sup> MPa	Line Pull lbf kN	Line Speed ft/min m/min	Line Pull lbf kN	Line Speed ft/min m/min	
59 : 1	595	75	1,700	11,000	154	6,600	260	1/2" - 438'
	270	284	12	49	47	29	79	13mm - 130m

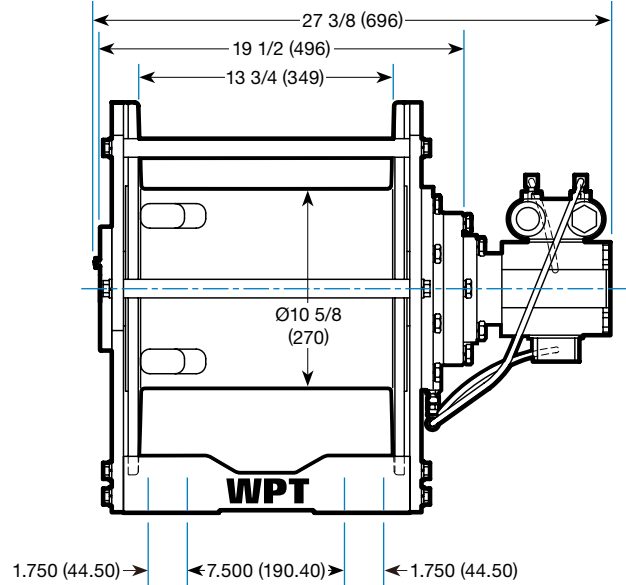
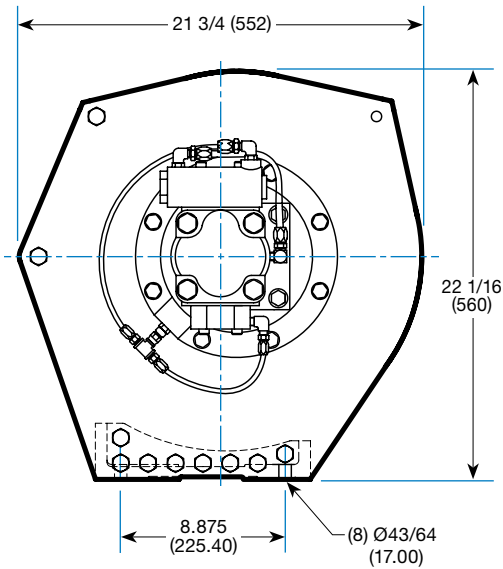


# WHP49S-HS

## 11,000 lbf Planetary Hydraulic Hoist

### WHP49S-HS Product Features:

- Efficient two-stage hydraulic planetary design
- Multiple disc brake is spring-applied and hydraulically released
- Recommended for use with 5/8" (16mm) cable
- Easily serviced compact design



Gear Ratio	Weight lb kg	Hydraulic Motor		Bare Drum		Full Drum		Drum Capacity Cable Dia. Length
		Flow gal/min l/min	Pressure lbf/in <sup>2</sup> MPa	Line Pull lbf kN	Line Speed ft/min m/min	Line Pull lbf kN	Line Speed ft/min m/min	
59 : 1	595	75	1,700	11,000	154	6,600	259	5/8" - 580'
	270	284	12	49	47	29	79	16mm - 177m

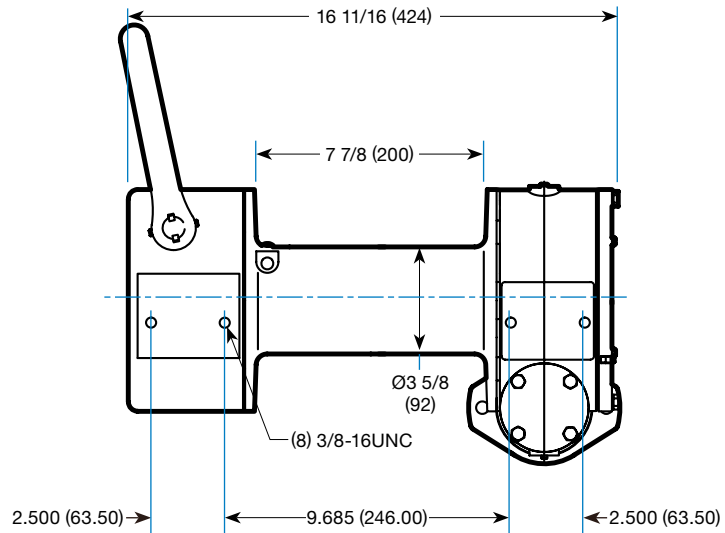
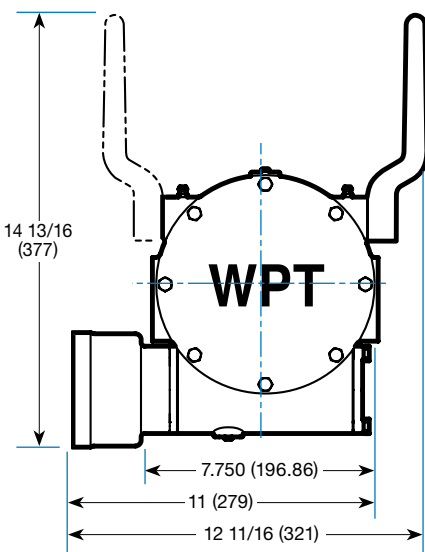
# WHW40S-DS

## 9,000 lbf Worm Gear Hydraulic Winch



### WHW40S-DS Product Features:

- Robust worm gear design that holds the load even if the power fails or is interrupted
- Lever styled clutch allows cable to be unspooled rapidly
- A rugged cast ductile steel drum that withstands high impact loads and cable wear
- Recommended use with 3/8" (10mm) cable
- Cast aluminum worm and clutch housing and cover making it extremely strong and lightweight
- Conforms to SAE J706 standard



Long drum winch number WHW40L-DS is available, drum length 10 7/8" (276) with 125 ft (38m) wire rope capacity.

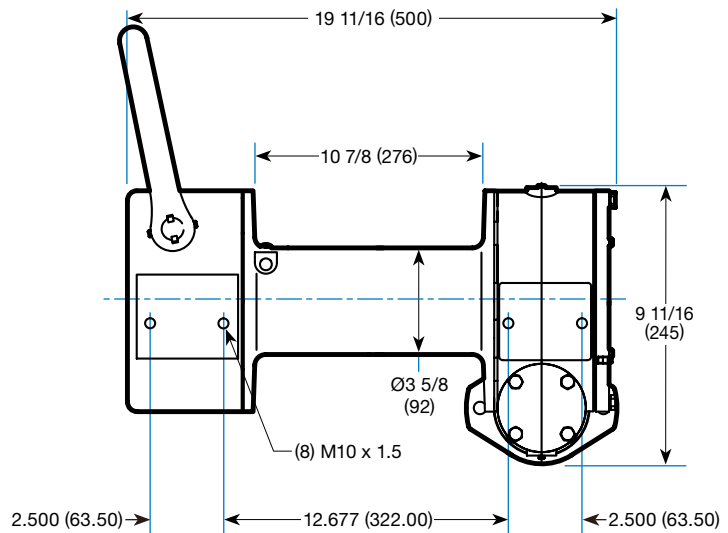
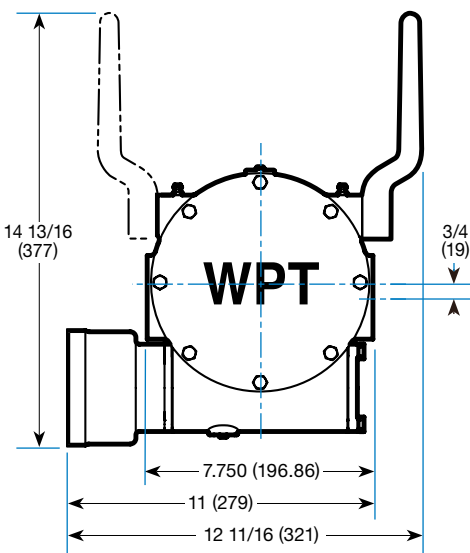
Gear Ratio	Weight lb kg	Hydraulic Motor		Bare Drum		Full Drum		Drum Capacity Cable Dia. Length
		Flow gal/min l/min	Pressure lbf/in <sup>2</sup> MPa	Line Pull lbf kN	Line Speed ft/min m/min	Line Pull lbf kN	Line Speed ft/min m/min	
60 : 1	71	16	2,000	9,000	13	5,800	21	3/8" - 98'
	32	60	14	40	4.1	26	6.5	10mm - 30m

# WHW49L-DS

## 11,000 lbf Worm Gear Hydraulic Winch

### WHW49L-DS Product Features:

- Robust worm gear design that holds the load even if the power fails or is interrupted
- Lever styled clutch allows cable to be unspooled rapidly
- A rugged cast ductile steel drum that withstands high impact loads and cable wear
- Recommended use with 7/16" (11mm) cable
- Cast aluminum worm and clutch housing and cover making it extremely strong and lightweight
- Air shift operation allows for remote shifting capabilities



Gear Ratio	Weight lb kg	Hydraulic Motor		Bare Drum		Full Drum		Drum Capacity Cable Dia. Length
		Flow gal/min l/min	Pressure lbf/in <sup>2</sup> MPa	Line Pull lbf kN	Line Speed ft/min m/min	Line Pull lbf kN	Line Speed ft/min m/min	
60 : 1	79	16	2,000	11,000	12	6,600	20	7/16" - 112'
	36	60	14	49	3.8	26	6.2	11mm - 34m

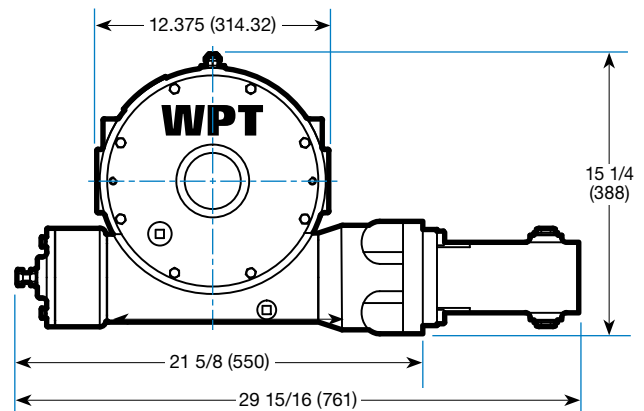
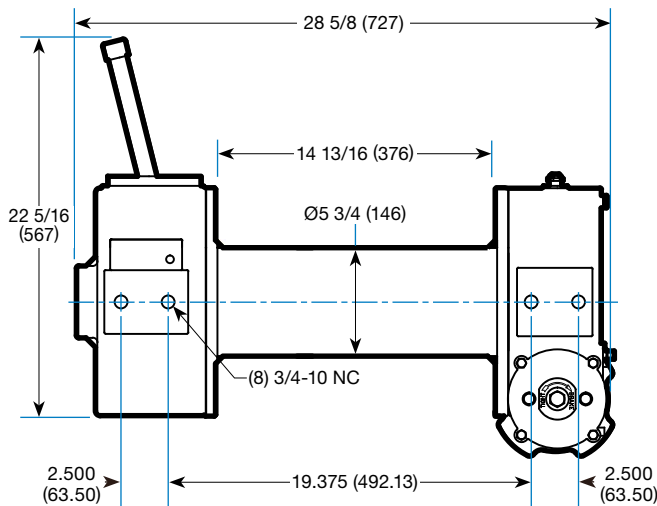
# WHW89S-DS

## 20,000 lbf Worm Gear Hydraulic Winch



### WHW89S-DS Product Features:

- Robust worm gear design that holds the load even if the power fails or is interrupted
- Lever styled clutch allows cable to be unspooled rapidly
- Rugged cast ductile steel drum withstands high impact loads and cable wear
- Recommended use with 5/8" (16mm) cable
- Extremely strong and lightweight cast aluminum worm and clutch housings and cover
- Conforms to SAE J706 standard



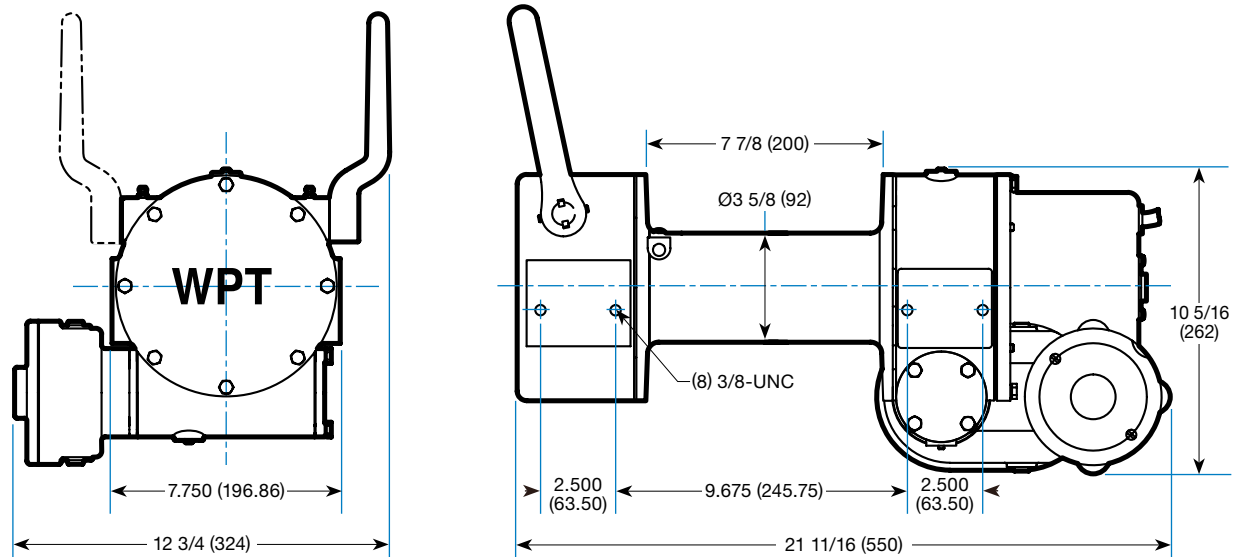
Gear Ratio	Weight lb kg	Hydraulic Motor		Bare Drum		Full Drum		Drum Capacity Cable Dia. Length
		Flow gal/min l/min	Pressure lbf/in <sup>2</sup> MPa	Line Pull lbf kN	Line Speed ft/min m/min	Line Pull lbf kN	Line Speed ft/min m/min	
40 : 1	386	18	2,300	20,000	22	12,400	35	5/8" - 180'
	175	68	16	89	6.7	55	11	16mm - 54m

# WEW40S-DS

## 9,000 lbf Worm Gear Electric Winch

### WEW40S-DS Product Features:

- Easy to install with 12 or 24 volt DC connection
- Robust worm gear design that holds the load even if the power fails or is interrupted
- Lever styled clutch allows cable to be unspooled rapidly
- A rugged cast ductile steel drum that withstands high impact loads and cable wear
- Recommended use with 3/8" (10mm) cable
- Cast aluminum worm and clutch housing and cover making it extremely strong and lightweight

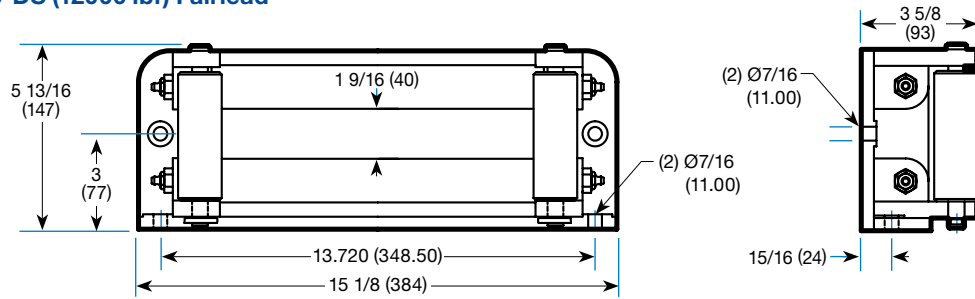


Long drum winch number WEW40L-DS is available, drum length 10 7/8" (276) with 125 ft (38m) wire rope capacity.

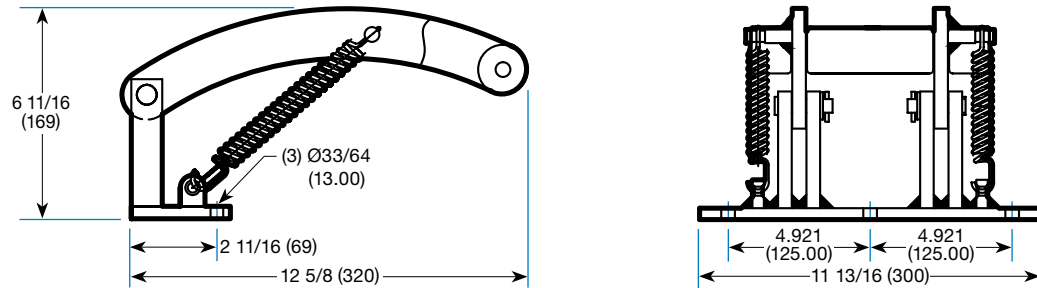
Gear Ratio	Voltage V	Weight lb kg	Bare Drum		Full Drum		Drum Capacity Cable Dia. Length
			Line Pull lbf kN	Line Speed ft/min m/min	Line Pull lbf kN	Line Speed ft/min m/min	
470 : 1	12 / 24	84	9,000	14	5,800	22	3/8" - 98'
		38	40	4.3	26	6.7	10mm - 30m

# Accessories

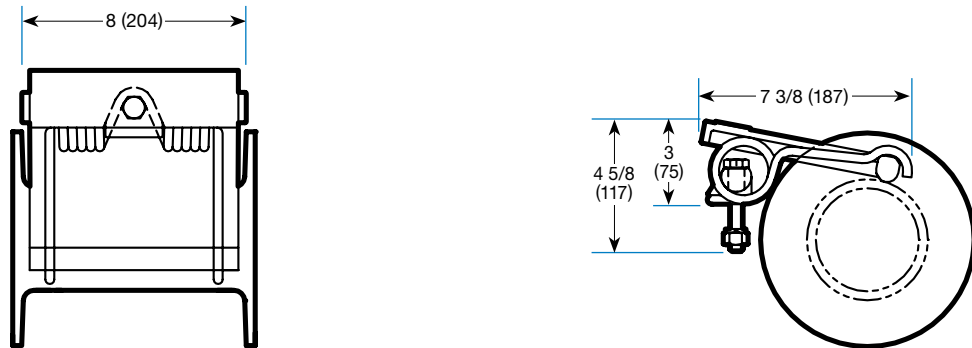
**WHP53S-DS (12000 lbf) Fairlead**



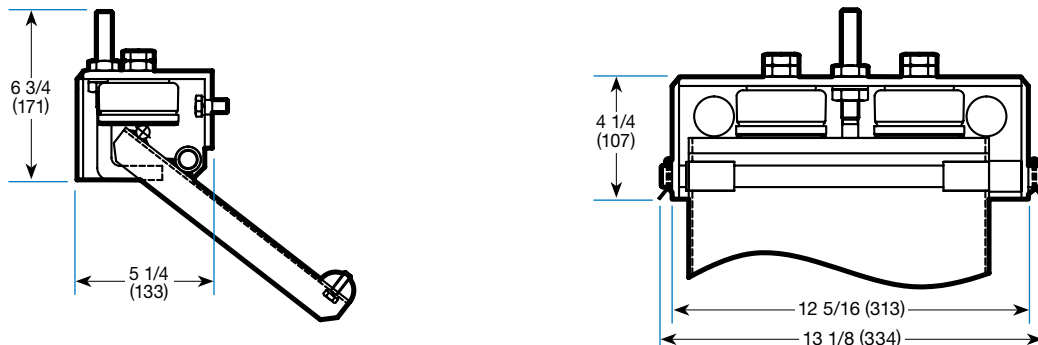
**WHP102S-DS (23000 lbf) Cable Tensioner**



**WHW40S-DS (9000 lbf) Cable Tensioner**



**WHP223S-DS (50000 lbf) Cable Tensioner**



Note: Please contact WPT® engineers for more technical information.

## Winch Application Data Sheet

WPT Power Corporation  
ATTN: Applications Dept.  
P.O. Box 8148  
Wichita Falls, TX 76307

940-761-1971  
940-761-1989 Fax  
applications@WPTpower.com  
www.WPTpower.com

Please provide the following information to help ensure the most accurate and competitive offer for your applications.

Name / Title: \_\_\_\_\_

Email: \_\_\_\_\_

Company Name: \_\_\_\_\_

Phone: \_\_\_\_\_

Address: \_\_\_\_\_

Country: \_\_\_\_\_

City / State / Zip: \_\_\_\_\_

Special Instructions: \_\_\_\_\_

### Electric Winches Application Information

Scope of Use : \_\_\_\_\_

Rated Line Pull : \_\_\_\_\_

Line Speed Range : \_\_\_\_\_

Wire Rope Length : \_\_\_\_\_

DC Voltage (12V or 24V) : \_\_\_\_\_

### Hydraulic Winches Application Information

Scope of Use : \_\_\_\_\_

Rated Line Pull : \_\_\_\_\_

Work Line Pull : \_\_\_\_\_

Line Speed Range : \_\_\_\_\_

Wire Rope Length : \_\_\_\_\_

Hydraulic System Pressure: \_\_\_\_\_

Hydraulic System Flow : \_\_\_\_\_

### Additional Information

## Global resource network

Our extensive network of knowledgeable distributors ensures that your product needs will be met quickly and with minimum downtime – when and wherever you are, worldwide.



**WPT POWER**  
CORPORATION 

**WPT Power Corporation**  
1600 Fisher Road  
Wichita Falls, Texas 76305  
U.S.A.

P.O. Box 8148  
Wichita Falls, Texas 76307

+1 940-761-1971 Phone  
+1 940-761-1989 Fax  
WPTpower.com

**WPT Power (Shanghai) Ltd.**  
No. 3-4 Building  
669 MinTa Road  
Songjiang, Shanghai, PRC  
201617

+86-21-57847560 Phone  
+86-21-57847553 Fax  
WPTpower.com.cn