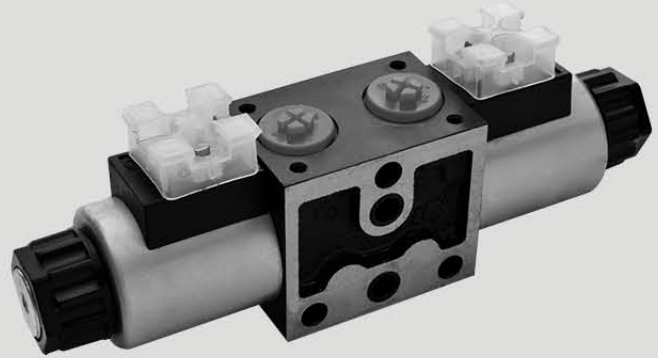
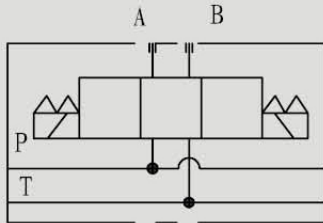


MWE6

MODULAR DIRECTIONAL VALVE ELEMENTS MWE6

SYMBOL

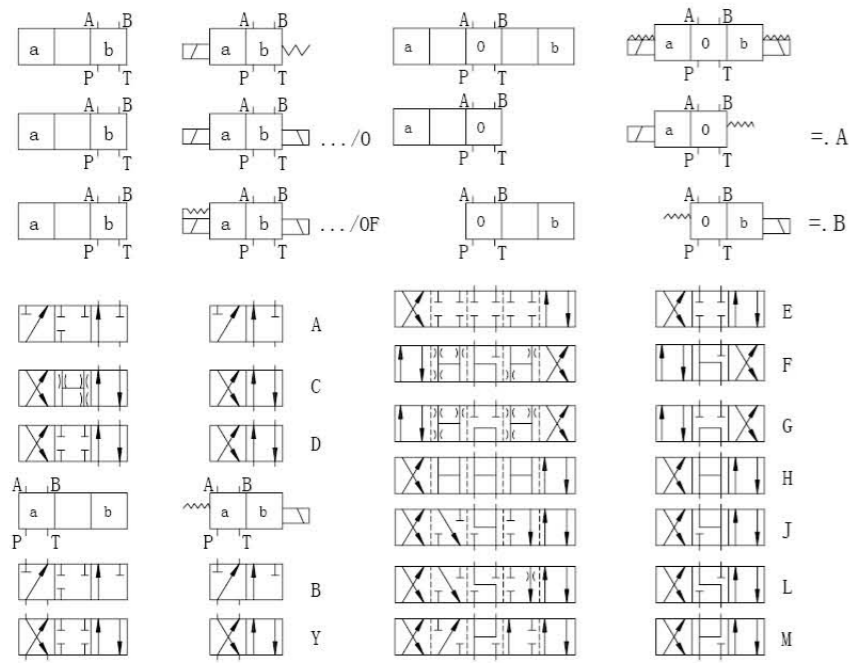


MWE6 series directional control valves are solenoid operated directional spool valves, these valves are used to the start, stop and direct flow.

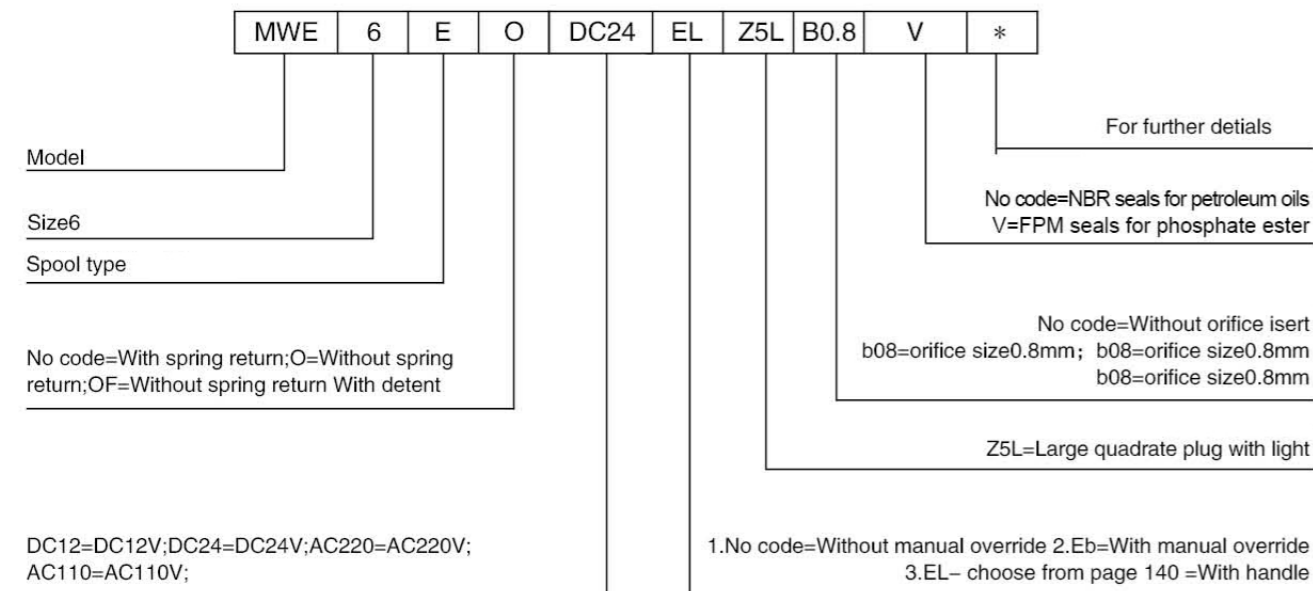
► Technical data

Size	6
Max flow rate (L/min)	40
Operating pressure (MPa)	31
Valve body (Material) Surface treatment	casting phosphating surface
Oil cleanliness	NAS class 1638 ISO4406 class 20/18/15

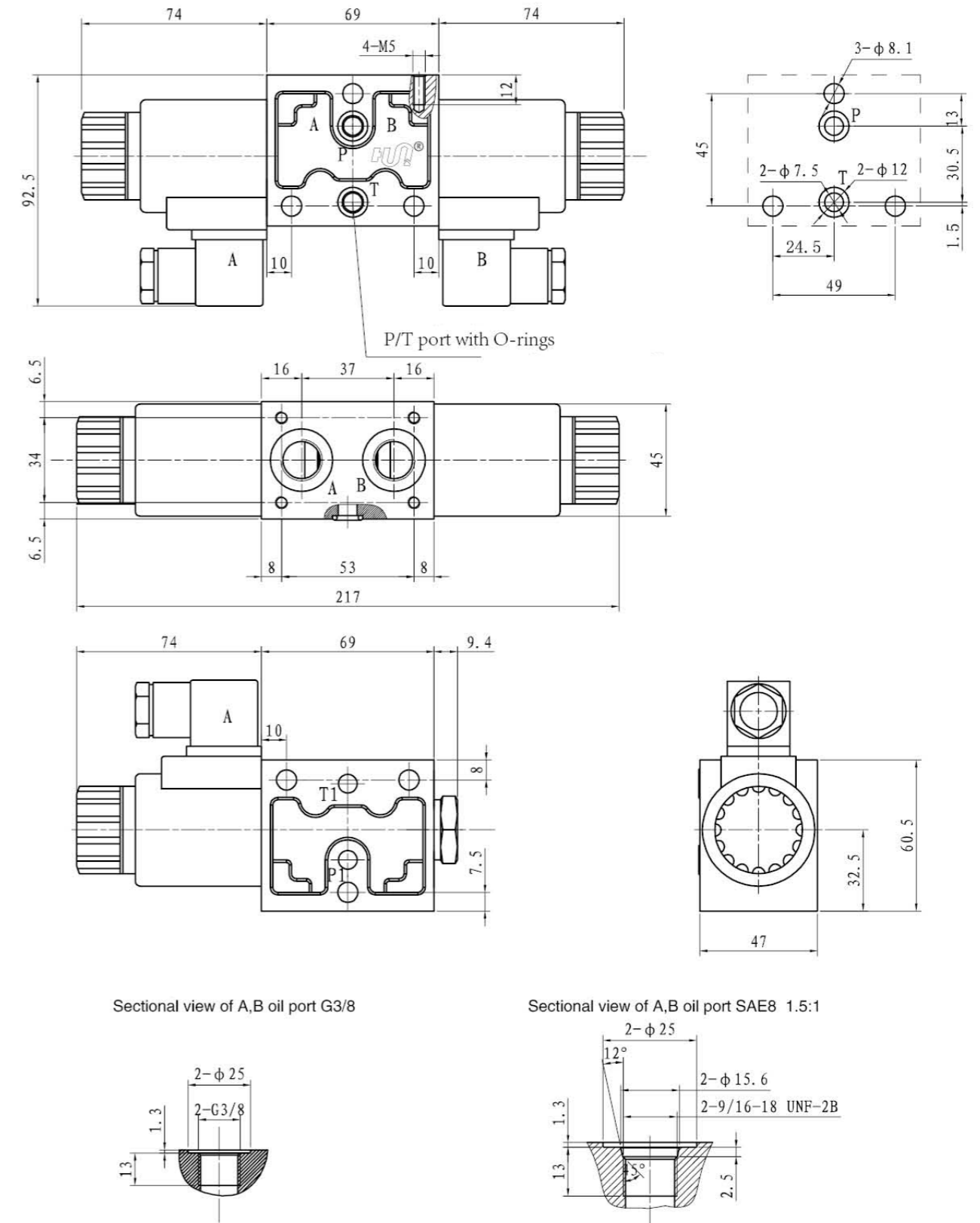
► Spool symbols



► Ordering Details



► External Dimensions and Fittings

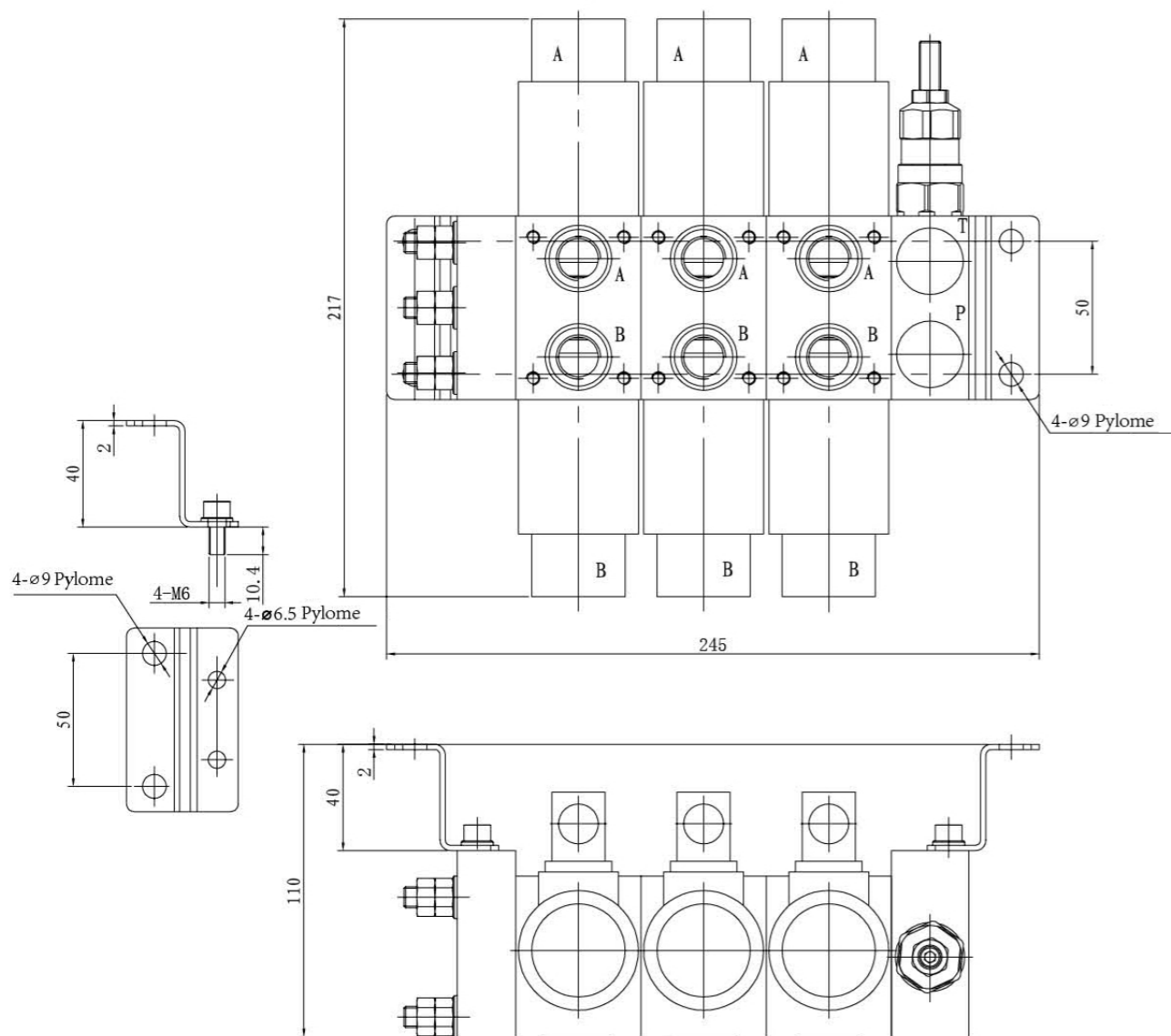


MDWE6

**MANIFOLD SOLENOID
DIRECTIONAL VALVES MDWE6**

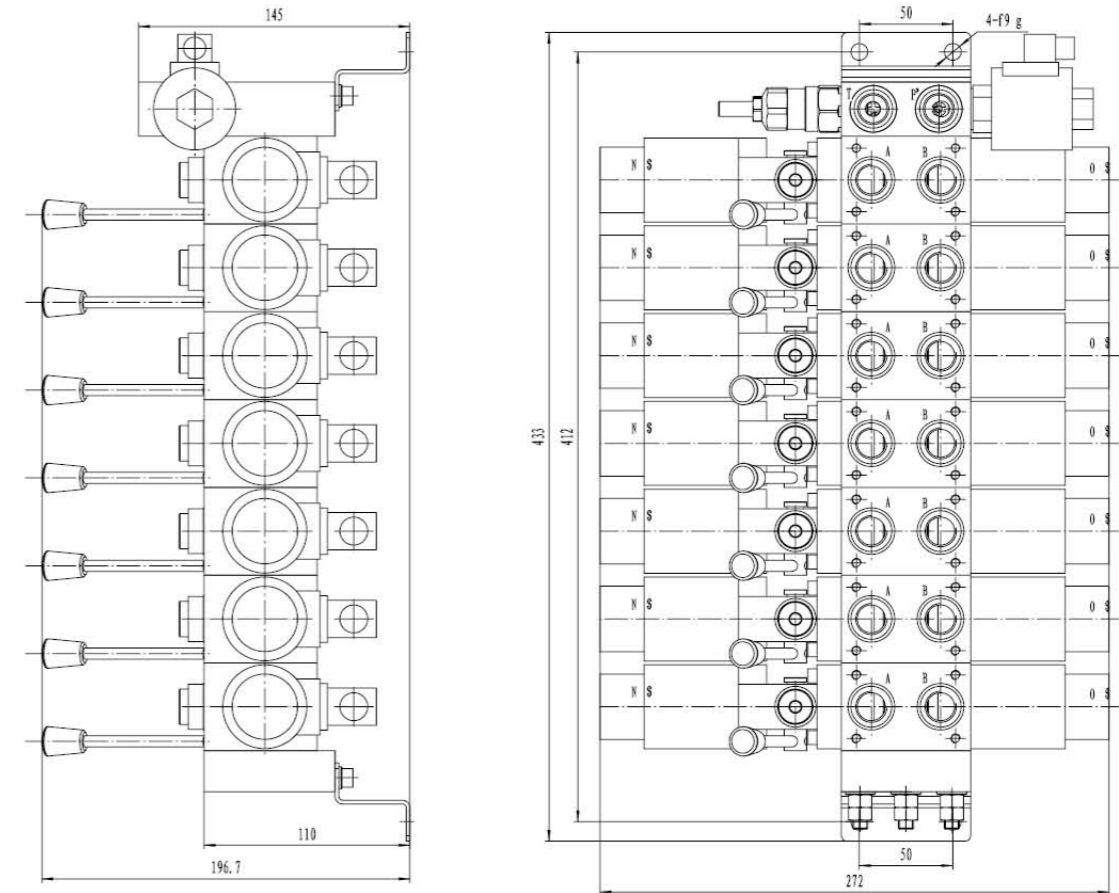


External Dimensions and Fittings



Remark: can be added more sections, also can be installed other valves on the directional sections.

External Dimensions and Fittings



Technical date	Maxflow (L/min)	Working pressure (MPa)	Size of oil port	
	40	31	P、T	G1/2
		A、B	G3/8	
		M	G1/4	