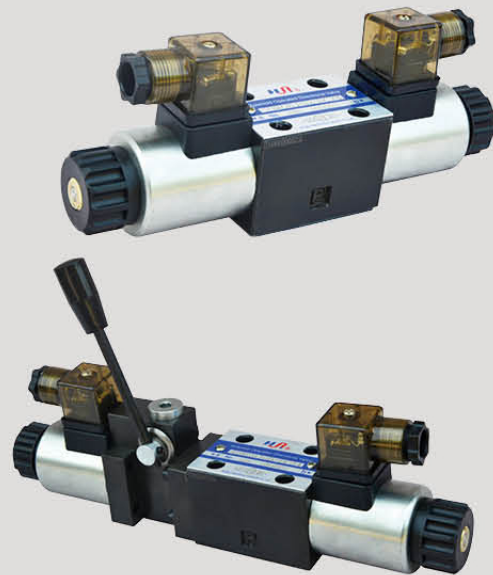


4WE6

4WE6 SERIES SOLENOID OPERATED DIRECTIONAL CONTROL VALVES

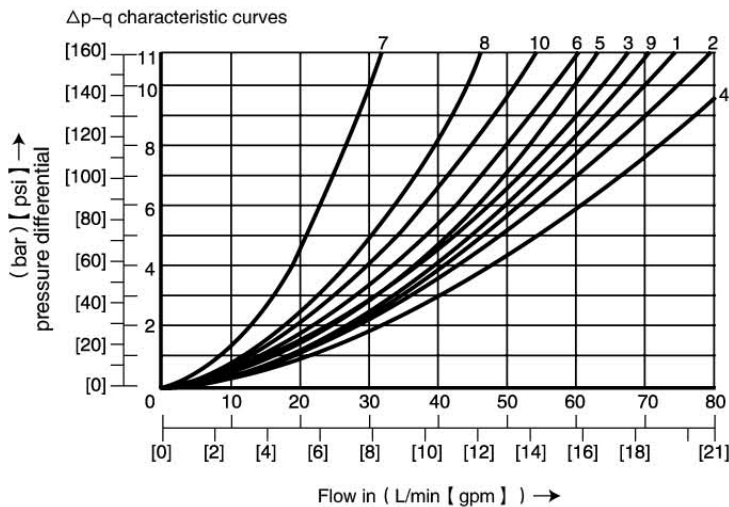


4WE6 series directional control valves are solenoid operated directional spool valves, these valves are used to the start, stop and direct flow.

▶ Technical data

Size		6
Max.flow rate(L/min)		60
Operating pressure(MPa)		A、B、P oil port 31.5 T oil port 16
Weight(KGS)	Without Handle	1.6/2.2
	With Handle	2.2/2.8
Valve body (Material) Surface treatment		casting phosphating surface

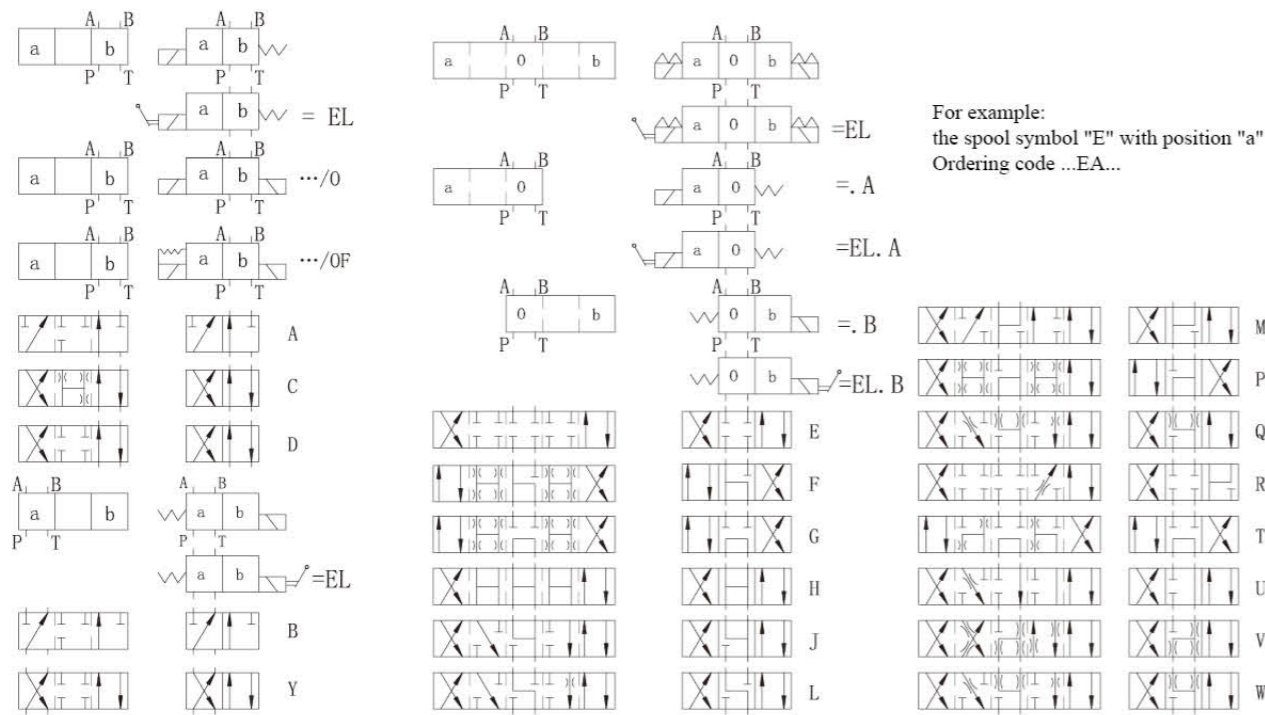
▶ Characteristic curves (measured with HLP46, Voil=40°C ± 5°C [104°F ± 9°F])



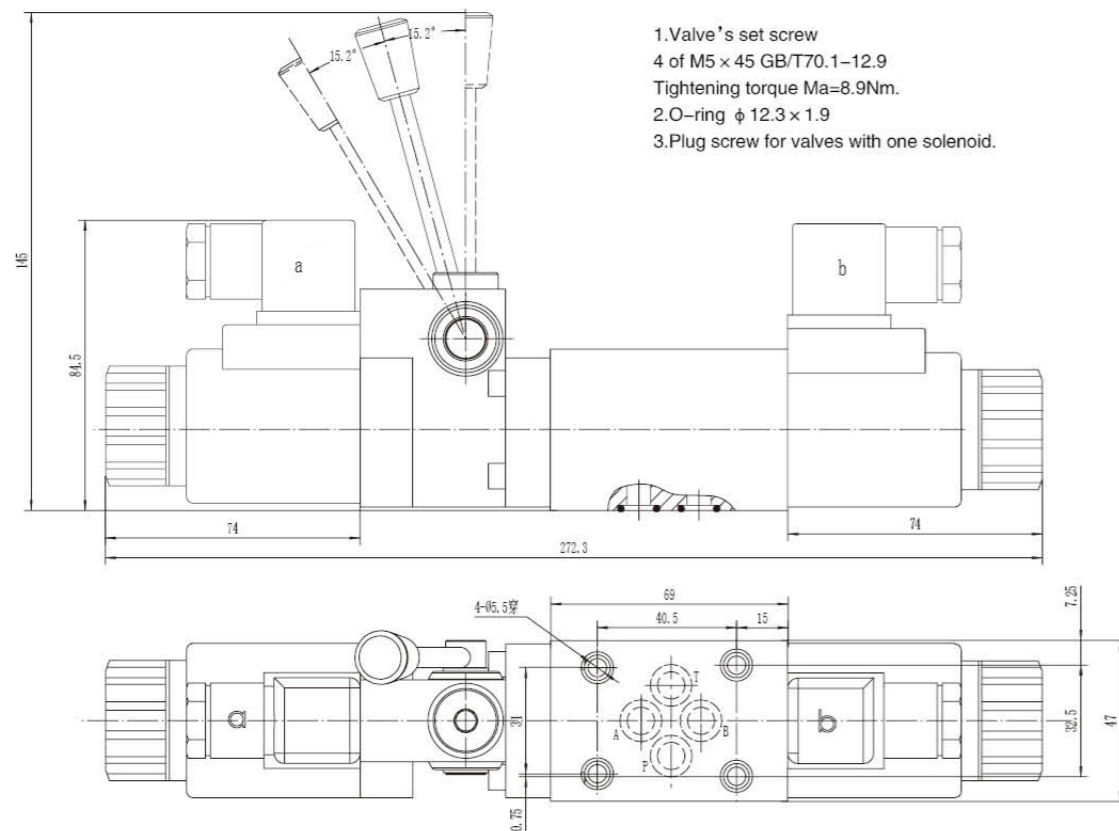
Spool symbol	Flow direction			
	P - A	P - B	A - T	B - T
A; B	3	3	-	-
C	1	1	3	1
D; Y	5	5	3	3
E	3	3	1	1
F	1	3	1	1
T	10	10	9	9
H	2	4	2	2
J; Q	1	1	2	1
L	3	3	4	9
M	2	4	3	3
P	3	1	1	1
R	5	5	4	-
V	1	2	1	1
W	1	1	2	2
U	3	3	9	4
G	6	6	9	9

7 Spool symbol "R" in spool position B→A
 8 Spool symbol "G" and "T" in central position
 9 Spool symbol "H" and "T" in central position P→T

▶ Spool symbols



▶ DWG-EL Subplate Installation Dimensions



▶ DWG-EL Subplate Installation Dimensions

